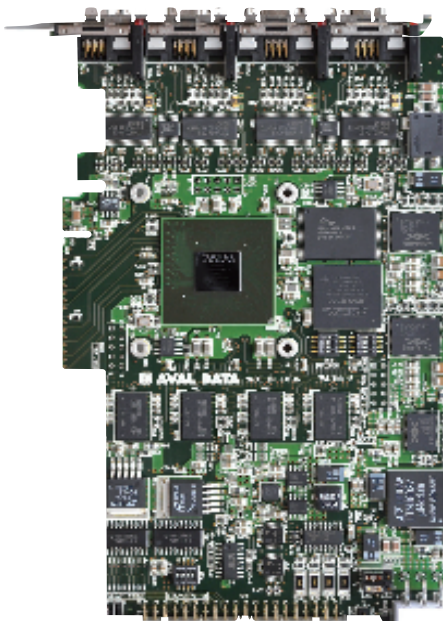


Supporting 4 channel PoCL-Lite interface 8-lane PCI Express Frame-grabber board



CameraLink PoCL-Lite I/F Board **APX-3311**



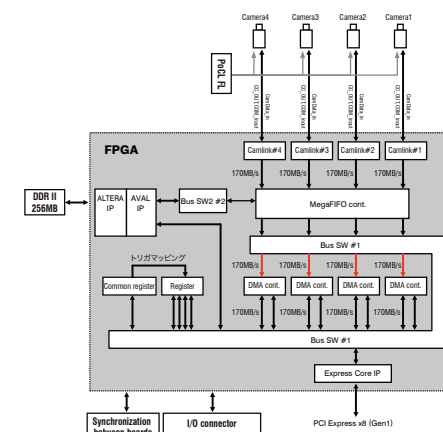
● Features

- 4 Channel PoCL-Lite interface
- Supports both synchronization and asynchronization
- Bayer conversion demosaic by hardware
- Line reversal function
- Total 256Mbyte FIFO memories for image buffer (Each channel : 64MByte FIFO memories)
- Generates asynchronous signal by strobe output for each camera
- Total 12 of external trigger inputs (Photo isolation×4, TTL×4, RS422×4)
- Synchronous function enables image capture simultaneously between boards
- PCI Express(Gen2) ×8 Lane

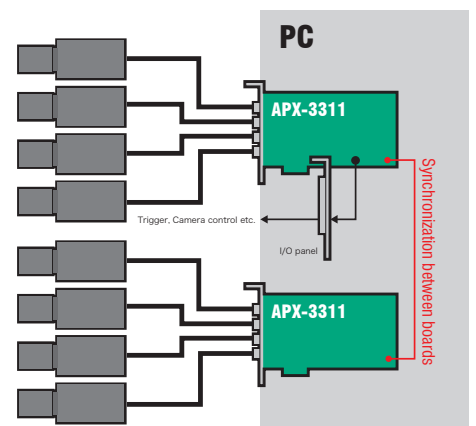
● Specification

Supported Camera	PoCL-Lite standard
Image capture	Camera Link PoCL-Lite 4channel
Memory	256MB
I/O(I/O triggers and control)	External trigger/general purpose input, Photo isolation input×4, TTL×4, RS422×4 *External trigger:selectable from total 12 of external trigger inputs *General purpose input:available as the factors of input, selection or interrupt of images to total 12 of external trigger inputs Output : Strobe open collector output×4, General purpose output×8 Synchronization of between the board to another board : TTL output×1, TTL input×1
Interrupt	Image capture start, DMA end, General purpose input (GPIN)
System bus	PCI Express (Gen2)×8 Lane
Power consumption	+12v, 1.2A
Environment	Temperature : 0-50C, Humidity,35%-85%(non condensing)
Dimension	167.65mm×11.15mm, panel width : 20mm(contained no projection)
OS	Windows7, WindowsXP

● Block Diagram



● Example of Synchronization



AVAL DATA CORPORATION

1-25-10,Asahi-machi,Machida-shi,Tokyo,194-0023,Japan

TEL 042-732-1030

FAX 042-732-1032

E-mail sales@avaldata.co.jp

URL http://www.avaldata.co.jp

Specifications are subject to change without notice. All brand names in this leaflet are trademarks of their respect owners. ISO9001,ISO14001 certified. Print in December, 2010