



User's Manual

Line Scan Camera

Type: XCM3C4080T3



NIPPON ELECTRO-SENSORY DEVICES CORPORATION

For Customers in the U.S.A.

This equipment has been tested and found to comply with the limits for a Class A digital device, in accordance with Part 15 of the FCC Rules. These limits are designed to provide reasonable protection against harmful interference when the equipment is operated in a commercial environment. This equipment generates, uses, and can radiate radio frequency energy and, if not installed and used in accordance with the instruction manual, may cause harmful interference to radio communications. Operation of this equipment in a residential area is likely to cause harmful interference, in which case the user will be required to correct the interference at his or her own expense.

For Customers in the EU

This equipment has been tested and found to comply with the essential requirements of the EMC Directive 2004/108/EC, based on the following specifications applied:

EU Harmonized Standards

EN55022:2010 Class A

EN61000-6-2:2005

Warning

This is a class A product. In a domestic environment this product may cause radio interference in which case the user may be required to take adequate measures.

Directive on Waste Electrical and Electronic Equipment (WEEE)



Please return all End of Life NED products to the distributor from whom the product was purchased for adequate recycling and / or disposal. All costs of returning the Product to NED are borne by the shipper.

Introduction

Thank you for purchasing NED's Line Scan Camera. We look forward to your continued custom in the future.

For safety use

- ◆ For your protection, please read these safety instructions completely before operating the product and keep this manual for future reference.
- ◆ The following symbols appear next to important information regarding safe product handling.

 Warning	If the product is not handled properly, this may result in serious injury or possible death.
 Caution	If the product is not handled properly, this may result in physical injury or cause property damage.

Safety precaution

Warning

- ◆ Never disassemble or modify this product, unless otherwise specified to do so in this manual.
- ◆ When hands are wet, avoid handling this product and do not touch any of the connection cable pins or other metallic components.
- ◆ Do not operate this product in an environment that is exposed to rain or other severe external elements, hazardous gases or chemicals.
- ◆ If the product is not to be used for an extended period of time, as a safety precaution, always unplug the connection cable from the camera unit.
- ◆ If the product installation or inspection must be executed in an overhead location, please take the necessary measures to prevent the camera unit and its components from accidentally falling to the ground.
- ◆ If smoke, an abnormal odor or strange noise is emitted from the camera unit, first turn OFF power, then unplug the cable from the camera unit.
- ◆ This product is not intended for use in a system configuration built for critical applications.

Instructions before use

- ◆ Only operate this product within the recommended environmental temperature range.
- ◆ Use only the specified power source and voltage rating.
- ◆ Do not drop this product. Avoid exposure to strong impact and vibrations.
- ◆ Install the camera unit in a well-ventilated environment, in order to prevent the camera from overheating.
- ◆ If the camera must be installed in an environment containing dust or other particles, take required measures to protect the camera unit from dust adhesion.
- ◆ Do not unplug the cable while power is being supplied to the camera unit. To prevent product damage, always shut down the power supply before unplugging the power cable.
- ◆ When the surface of the camera window becomes dirty due to dust or grime, black smudges appear in the displayed image. Use an air blower to remove the dust particles. Dip a cotton swab into ethanol alcohol and clean the camera window. Be careful not to scratch the glass.
- ◆ Use of non-infrared lighting such as a fluorescent lamp is recommended. If halogen lighting is employed, always install an infrared filter into your system configuration.
- ◆ Please note that exposure to long wavelength light outside of the sensors visible optical range can affect the image.
- ◆ Sensitivity may fluctuate depending on the spectral response level of the light source. In cases like this, changing the light source to one with a different spectral response level may reduce this problem.
- ◆ For stabilized image capturing, turn ON the power supply and execute aging for ten to twenty minutes before actually using the camera unit.
- ◆ Do not share the power supply with motor units or other devices that generate noise interference.
- ◆ The signal ground (SG) and the frame ground (FG) are connected inside the camera unit. Design the system configuration so that a loop will not be formed by the ground potential differential.
- ◆ Do not disconnect the camera while rewriting an embedded memory.
- ◆ When you change exposure mode that is set at NED factory, input control signal (CC1) from the capture board.

Product Warranty

Warranty Period

- ◆ The product warranty period, as a general rule, is two years from purchase; however for detailed conditions please contact the sales representative for your region/country.
- ◆ However, in some cases due to the usage environment, usage conditions and/or frequency of use, this warranty period may not be applicable.

Warranty Scope

- ◆ Product repair will be performed on a Return To Manufacturer basis. On-site maintenance will incur additional charges.
- ◆ If defects in material or workmanship occur during the warranty period, the faulty part will be replaced or repaired by us free of charge. Return shipping charges must be paid by the sender. However, the following cases fall outside of the scope of this warranty:
- ◆ The expired date of the warranty period on the product repaired or replaced during the warranty period of the original product is the same as the expired date of the warranty period on the original product.

Exclusions from Warranty Coverage

- ◆ We will under no circumstances assume responsibility for the following cases: damage caused by fire, earthquake, other acts of a third party, other accidents, negligent or intentional misuse by the user, or other usage under extraordinary circumstances.
- ◆ Damages (e.g. loss of business profits, business interruption, etc.) resulting from use or non-use.
- ◆ Damages caused by use other than as described in this document.
- ◆ Damages resulting from malfunction due to a connected device.
- ◆ Damages resulting from repairs or modifications performed by the customer.

Fault Diagnosis

- ◆ As a general rule, in the first instance fault diagnosis should take the form of a telephone call or an email to enable us to assess the circumstances of the malfunction.
- ◆ However, depending on the customer's requests, we, or our agent, may require an additional fee for this service.

Exclusion of Liability for Compensation for Missed Opportunities

- ◆ Regardless of whether within the warranty period or not, our warranty does not cover compensation for missed opportunities for our customers, or our customers' customers, caused by a fault of our products, nor for damage to products other than our own, or related business.

Note about Product Usage

- ◆ This product has been designed and manufactured as a general-purpose product for general industry. In applications expected to be life-critical or safety-critical, the installer or user is requested to install double or triple failsafe systems.

Repair Service Outline

- ◆ The cost of dispatching engineers etc. for repair service is not included in the price of purchased and supplied goods. On request, arrangements can be made separately.

Scope of Repair Service

- ◆ The above assumes business dealings and usage to take place in the customer's region / country. In cases of business dealings and/or usage outside the customer's region/country, separate consultation is required.

Table of Contents

1. 1. Product Outline	10
1.1 Features (XCM3C4080T3)	10
1.2 Application.....	10
1.3 Image Sensor	11
1.4 Performance Specifications	11
2. Camera Setting and Optical Interface	13
2.1 Setting the Camera	13
2.2 Fixing the Camera.....	13
2.3 Optical Interface.....	14
3. Hardware	15
3.1 Camera Connection.....	15
3.2 Input / Output Connectors and Indicator	17
3.3 Connectors · Pin Assignments · Cables	18
3.4 Power Supply	21
4 Camera Control	22
4.1 Flow of Camera Control	22
4.1.1 Command Overview	22
4.1.2 Camera Receiving Message (PC Sending Command).....	22
4.1.3 Camera Sending Message (PC Receiving Message)	23
4.1.4 Camera Control Commands	24
4.1.5 Memory Setup Values (Factory Settings).....	26
4.2 Details on Commands	27
4.2.1 Setting Analog Gain	27
4.2.2 Setting Digital Gain (1).....	27
4.2.3 Setting Digital Gain (2).....	27
4.2.4 Setting Digital Gain (3).....	28
4.2.5 Setting Digital Offset.....	28
4.2.6 Setting Exposure Mode	28
4.2.7 Setting Exposure Time	28
4.2.8 Setting Output Signals (Setting Data Format)	29
4.2.9 Setting Scanning Direction	29
4.2.10 Saving Pixel Correction Data (1)	29
4.2.11 Saving Pixel Correction Data(2)	29
4.2.12 Setting Pixel Correction (1).....	30

4.2.13 Setting Pixel Correction (2).....	30
4.2.14 Setting Pixel Correction (3).....	30
4.2.15 Generating Test Pattern	30
4.2.16 Colour Output Selection.....	31
4.2.17 Setting Adjacent Pixel Binning.....	31
4.2.18 Setting Gamma correction	31
4.2.19 Noise Reduction Function	31
4.2.20 Readout Camera Internal PCB Temperature.....	32
4.2.21 Memory Initializing (Initializing Camera Settings).....	32
4.2.22 Memory Load.....	32
4.2.23 Memory Save	33
4.2.24 Returning the Camera Settings to the its original status	33
4.2.25 Setting Transmission speed	33
4.3 Digital Processing flow in FPGA.....	34
4.4 Startup.....	34
4.5 Saving and Loading Camera Settings.....	34
4.6 Serial Communication Settings	35
4.7 Video Output Format	36
4.8 Exposure Mode and Timing Chart	37
4.8.1 Free Run Exposure Mode (Programming time setting)	37
4.8.2 External Trigger Exposure Mode (External trigger edge).....	38
4.8.3 External Trigger Exposure Mode (Trigger Level)	39
4.9 Digital Gain / Offset Settings	41
4.9.1 Setting Digital Gain (1).....	41
4.9.2 Setting Digital Gain (2) Automatic White Balance	41
4.9.3 Setting Digital Offset.....	41
4.10 Setting Analog Gain	42
4.11 Pixel Correction	43
4.11.1 Operating Procedure	44
4.12 Adjusting White Balance.....	44
4.12.1 Pixel (Bit) Correction Function.....	44
4.12.2 Digital Gain Function	44
4.13 Test Pattern	45
4.14 Adjacent Pixel Binning.....	47
4.15 Gamma Correction Setting.....	47
4.16 Camera Scan Readout Direction Setting	48
5 Sensor Handling Instructions	49
5.1 Electrostatic Discharge and the Sensor	49
5.2 Protecting Against Dust, Oil and Scratches	49

5.3 Cleaning the Sensor Window	49
--------------------------------------	----

6 Troubleshooting	50
--------------------------------	-----------

6.1 When there is no Image	50
----------------------------------	----

6.2 When Noise is present in the Image.....	52
---	----

6.3 When the Camera becomes hot	54
---------------------------------------	----

7 Others	55
-----------------------	-----------

7.1 Notice	55
------------------	----

7.2 Contact for support	55
-------------------------------	----

7.3 Product Support	56
---------------------------	----

1.

1. Product Outline

1.1 Features (XCM3C4080T3)

- High speed readout 80MHz(R,G,B)
- Uses dichroic prisms for high colour fidelity
- Easy control of gain / offset / video output with external software.
- Easy connection with a variety of frame grabber boards via Camera Link interface
- Single power source DC 12V to 15V for operation
- PRNU / Shading correcting function
- Binning function (2048-pixel readout)

1.2 Application

- Inspection of PCBs
- Visual inspection of colour printed materials
- Colour identification and inspection of foreign material.
- Inspection of sheet film
- Wood surface inspection

An example of Visual Inspection is shown below.

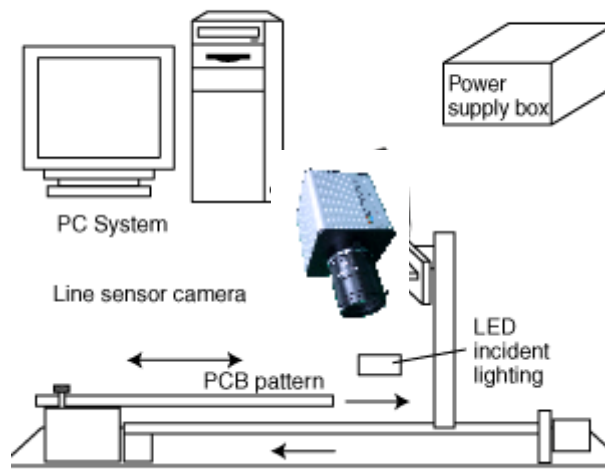


Figure 1-2-1 Visual Inspection of PCBs

Object of inspection (example) · Printed circuit boards

Device specification

1. Camera: Colour Line scan camera
2. Controller: Dedicated software for PC system

1.3 Image Sensor

The camera uses a CMOS sensor to acquire high quality images with high sensitivity. The pixel size is $7\mu\text{m} \times 7\mu\text{m}$. The camera uses three 4096 pixel sensors.

1.4 Performance Specifications

The Performance Specifications are shown in Table 1-4-1. It shows the data when the camera is operating at maximum scan rate, unless otherwise specified.

Table 1-4-1 Performance Specifications

Items		Specifications
		XCM3C4080T3
Number of Pixels		4096
Pixel Size H x V (μm)		7 x 7
Sensor Length (mm)		28.672
Data Rate (MHz)		80(each colour)
Scan Rate (μs) / [kHz]		53.6/[18.65]
Saturation Exposure ($\text{lx} \cdot \text{s}$) (typically) [Minimum Gain, Pixel Correction Initial Value, Daylight Fluorescent Light]		0.125 * Visible Area (400~700nm)
Responsivity ($\text{V} / [\text{lx} \cdot \text{s}]$) (typically) [Minimum Gain, Pixel Correction Initial Value,]		40 * Visible Area (400~700nm) * Analog 5V Conversion Sensitivity
Gain Adjustable Range *Analog Amplifier +Digital (RGB Shared)		Analog Amplifier : x 1 to x 8 (6 Steps) Digital : x 1 to x 2 (512 Steps)
Digital Offset Adjustable Range (RGB shared)		-40 to 40 DN (161Steps): 8bit -160 to 160 DN (161 Steps): 10bit
Video output Camera Link		Camera Link Medium/Base Configuration
Control Input		CC1: External Trigger Signal, CC2-4: Not in use
Connectors	Data/Controller	3M: MDR26 [Camera Link]
	Power Supply	Hirose: HR10A (6Pin)
Lens Mount		Nikon F Mount
Operating Temperature ($^{\circ}\text{C}$)		0 to 45
Operating Humidity (%RH)		20 to 80 No Condensation
Power Supply Voltage (V)		DC 12 to 15 [+-5%]
Consumption Current (mA) (typically)		900
Size W x H x D (mm)		100x100x123(F Mount)
Mass (g) (Camera only)		1100 (F Mount)

Additional Functions	1 Shading Correction 2 Gain/Offset/Video Output Adjustable 3 Programmable Exposure Control 4 Scan Direction Switching 5 Binning function
----------------------	--

Note :

*1) DN : Digital Number (8bit : 0-255 / 10bit : 0-1023)

*2) Measurements were made at room temperature, daylight fluorescent light and using a lens compatible with 3-CMOS sensors with a prism.

The spectral responsivity is shown below.

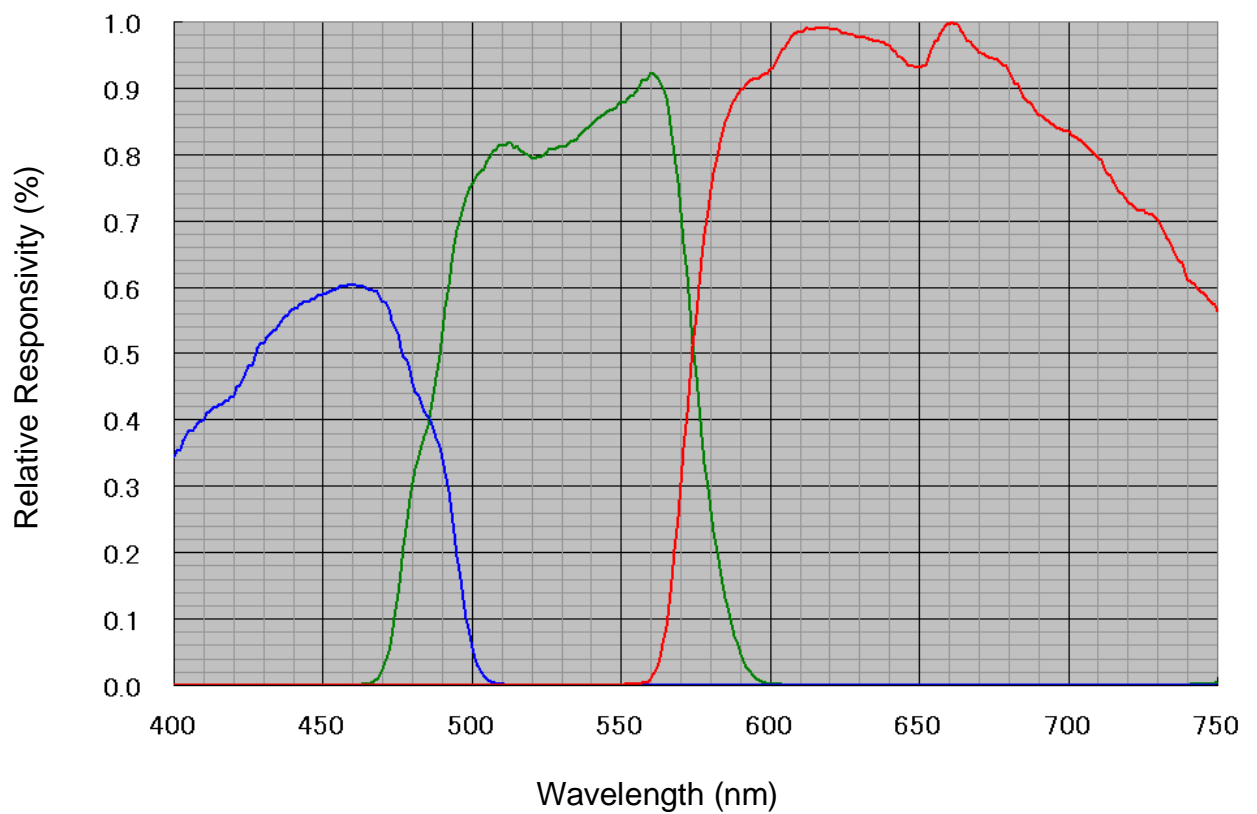


Figure 1-4-1 Spectral Responsivity

2. Camera Setting and Optical Interface

2.1 Setting the Camera

Use the M4 screw holes or the tripod screw hole to set the camera.

2.2 Fixing the Camera

Use the M4 screw holes (4 at the front) to set the camera.

The screw length for fixing the camera should be less than 5mm.

No X-, Y-axis orientation and tilt adjustment mechanism is available. Please prepare an adjustment mechanism if required.

The dimensions of the camera are shown below.

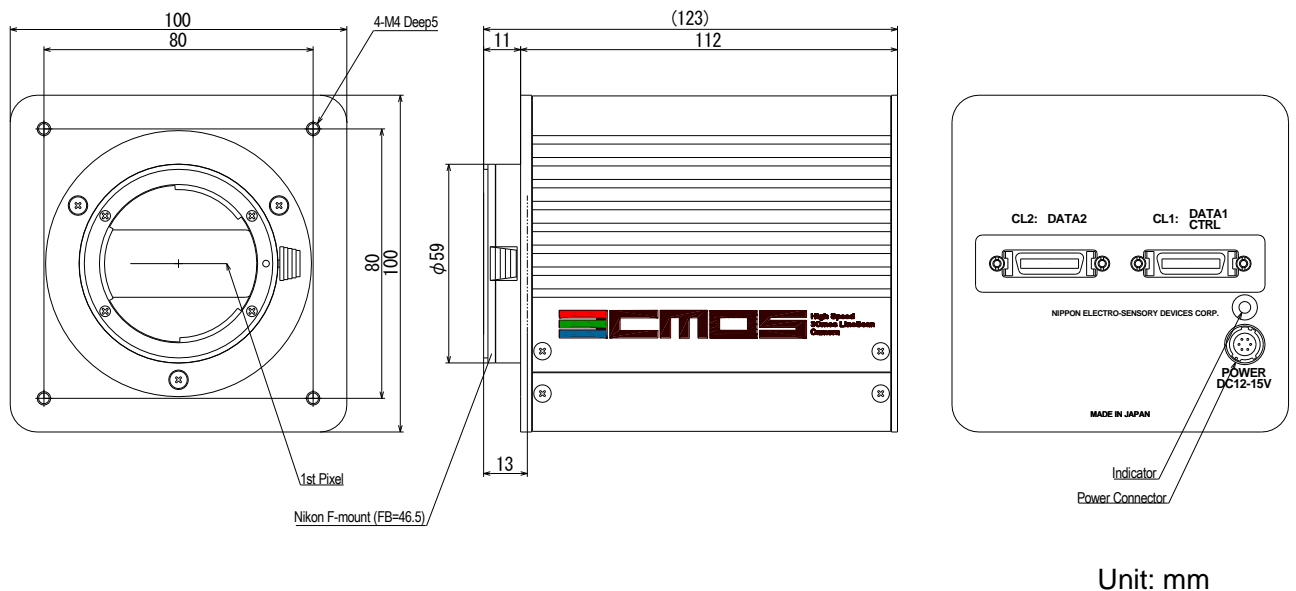


Figure 2-2-1 Dimensions of the Camera (F Mount)

2.3 Optical Interface

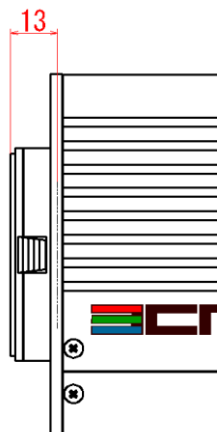
Nikon F mount is provided as standard.

Notes:

- 1) The amount and wavelengths of light required to capture useful images depend on the intended use. Factors include the physical properties, speed, the object's spectral characteristics, exposure time, the light source characteristics, the specifications of the acquisition system and so on.

The exposure amount (exposure time x light amount) is the most important factor in getting desirable images. Please determine the exposure amount after studying what is most important to your system.

- 2) Keep these guidelines in mind when setting up your light source:
 - LED light sources are relatively inexpensive, provide a uniform field and longer life span compared to other light sources. However, they also require a camera with excellent sensitivity.
 - Halogen light sources generally provide very little blue light but have high infrared light (IR) proportions.
 - Fiber-optic light distribution systems generally transmit very little blue light relative to IR.
 - Metal halide light sources are very bright but have a shorter life span compared to other light sources.
- 3) Generally speaking, the brighter the light sources, the shorter the life span. CMOS image sensors are sensitive to infrared (IR). We recommend using daylight colour fluorescent lamps that have low IR emissions. If you use a halogen light source, to prevent infrared from distorting the images use an IR cutoff filter that does not transmit wavelengths.
- 4) We recommend using a lens designed for 3-chip cameras. When using a standard lens, the rear of the lens assembly may interfere with the camera body. The distance from the mount flange to the internal surface is 13mm. The rear of the lens should protrude no more than 12.5mm



- 5) When using a standard lens, the optical performance (resolution etc.) may suffer.

3. Hardware

3.1 Camera Connection

Use the camera in the following way:

- ① Camera Link cables must be used to connect the camera unit with the frame grabber board.

Notes:

- 1) When using 30-bit colour, 2 Camera Link cables are required. The cables should be of the same length and from the same manufacturer.
- 2) In 2-Tap mode, 1 Camera Link cable is used. Connect the cable to the CL1 connector (CL2 is unused).
- 3) Use asymmetric Camera Link cables and connect the camera with the connector labeled as "Camera side".
- 4) A Medium Configuration-compatible frame grabber has 2 connectors. Check the specification of your frame grabber before connecting.

- ② Connect the camera with the designated power supply.

Notes:

Use the designated power cable to connect the camera with the power source for the camera. Insert the plug end of the cable into the camera. Attach the opposite end (loose wires) to the power unit. Other than those above, a personal computer, a frame grabber board, a compatible lens, a lens mount, a light source and an encoder are necessary, depending on the situation.

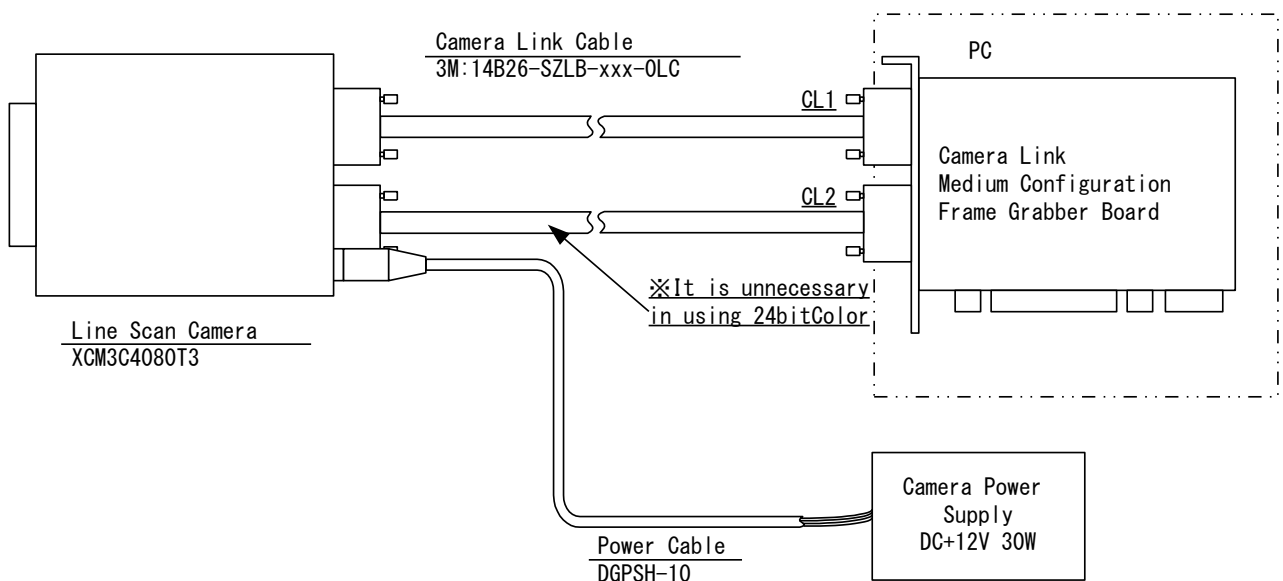


Figure 3-1-1 Connections between Camera and Frame Grabber Board and Power Supply

<Note: Choosing the appropriate Camera Link cable length >

According to the Camera Link Specification, the maximum cable length is 10m. But the maximum cable length to be able to transfer data depends on the type of cable performance and clock speed. The actual maximum transmission distance becomes less than 10m at faster clock speeds, though the transmission distance of 10m is feasible at slower clock speeds.

The following table shows values being calculated in accordance with the Camera Link Specification 2007.Version1.2, using a typical cable (14B26-SZLB-xxx-0LC from 3M) and frame grabber board (Solios from Matrox). Please choose the appropriate Camera Link cable type and length for your application. We recommend you perform a connection test in advance.

Table 3-1-1 Calculated value of maximum cable length

Solios model	Clock speed (MHz)	Maximum cable length (m)
SOL 6M CL E* (20~66MHz)	40	9.8
	66	8.0
SOL 6M FC E* (20~85MHz)	75	7.6
	85	5.8

3.2 Input / Output Connectors and Indicator

The layout of input /output connectors and the LED indicator are as follows.

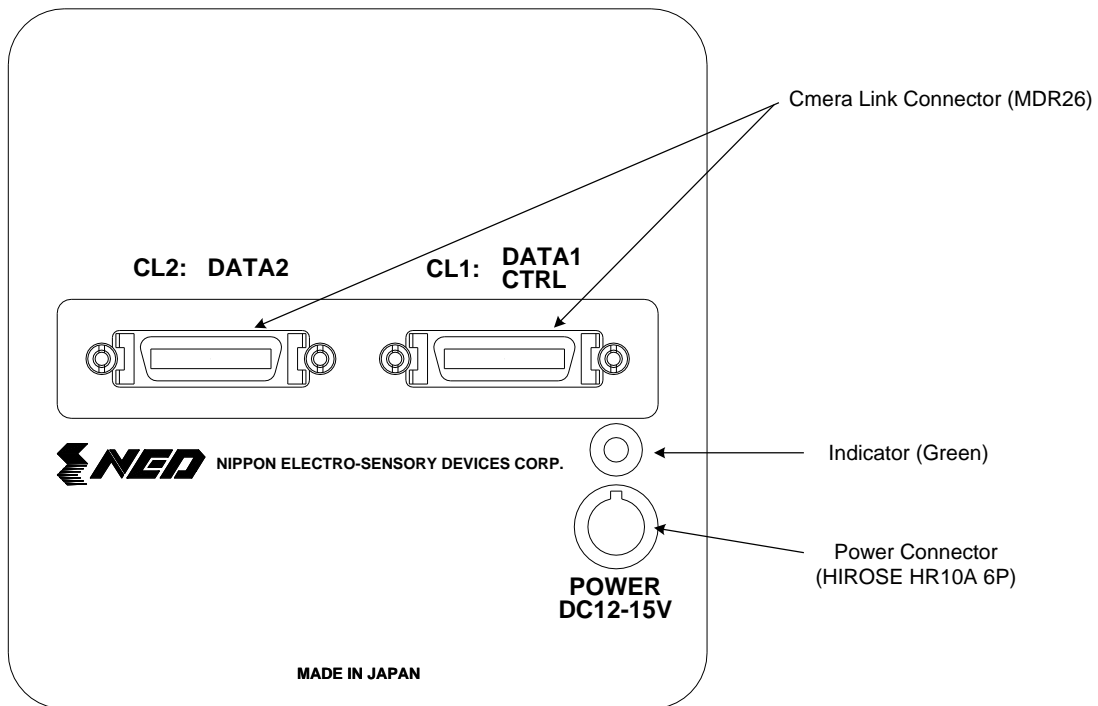


Figure 3-2-1 Input / Output Connectors and Power connector

3.3 Connectors • Pin Assignments • Cables

This camera adopts Medium Configuration of Camera Link interface standards. Figure 3-3-1 shows the interface for the camera and a typical implementation for the frame grabber interface.

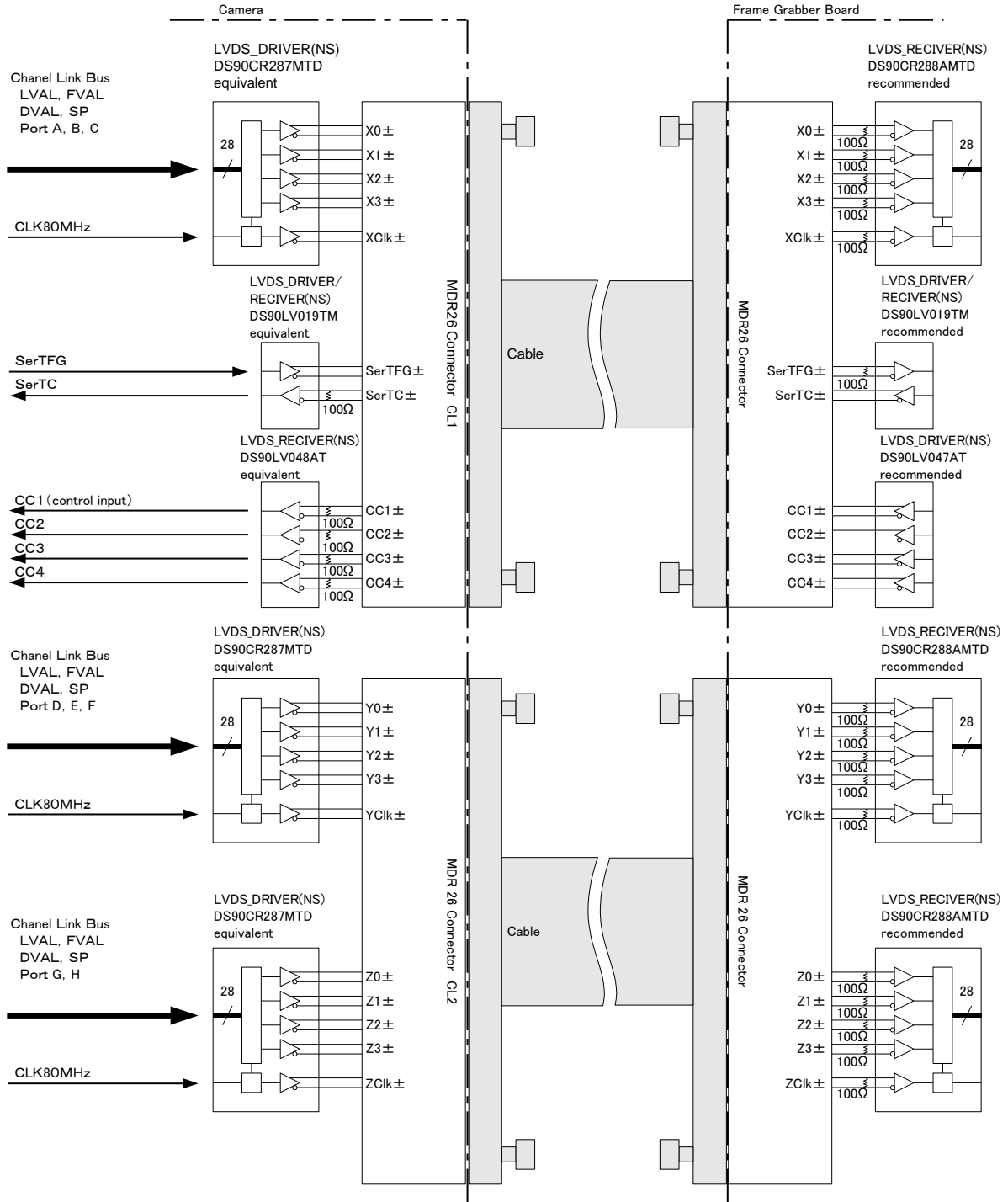


Figure 3-3-1 Camera / Frame Grabber Interface

Notes:

- 1) In 24-bit colour, Base Configuration is used, so it is not necessary to connect a cable to CL2.
- 2) Ports G, H are unused.
- 3) Do not make the driver side of LVDS open but set the logic to H or L, even if not used.
- 4) Set the LVDS, Channel Link receiver side to 100-ohm termination.

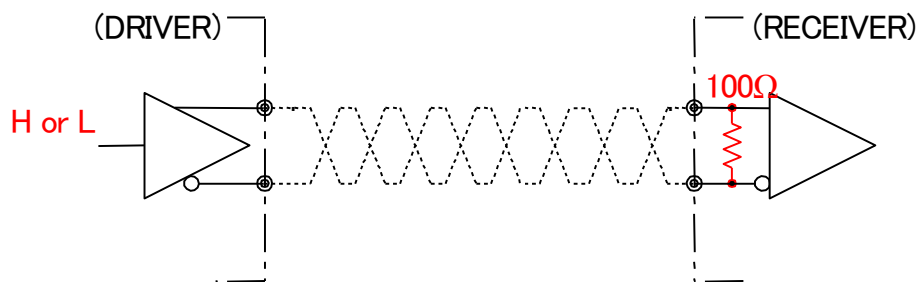


Figure 3-3-2 Circuit of LVDS

The camera has 26-pin MDR connectors for control signals of Camera Link, data signals and serial communications.

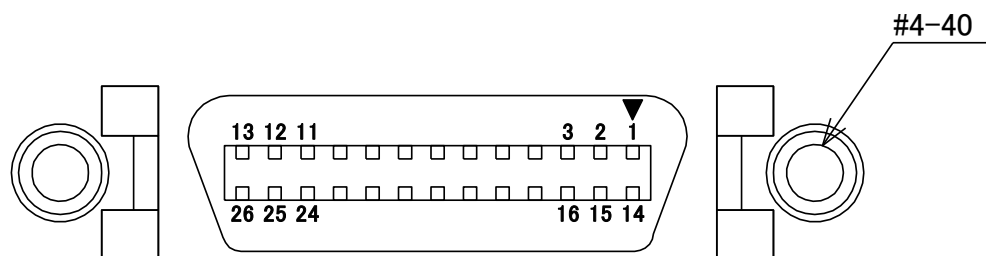


Figure 3-3-3 Camera Link Connector

Table 3-3-1 Camera Link Connector (26-pin MDR Connector) pin assignments

CL1(Base/Medium Configuration)					CL2(Medium/Full Configuration)				
No	Name	No	Name	I/O	No	Name	No	Name	I/O
1	Inner shield	14	Inner shield	-	1	Inner shield	14	Inner shield	-
2	X0 -	15	X0 +	OUT	2	Y0 -	15	Y0 +	OUT
3	X1 -	16	X1 +	OUT	3	Y1 -	16	Y1 +	OUT
4	X2 -	17	X2 +	OUT	4	Y2 -	17	Y2 +	OUT
5	Xclk -	18	Xclk+	OUT	5	Yclk -	18	Yclk +	OUT
6	X3 -	19	X3 +	OUT	6	Y3 -	19	Y3 +	OUT
7	SerTC +	20	SerTC -	IN	7	100Ωterminated	20	100Ωterminated	-
8	SerTFG -	21	SerTFG +	OUT	8	Z0 -	21	Z0 +	OUT
9	CC1 -	22	CC1 +	IN	9	Z1 -	22	Z1 +	OUT
10	CC2 +	23	CC2 -	IN	10	Z2 -	23	Z2 +	OUT
11	CC3 -	24	CC3 +	IN	11	Zclk -	24	Zclk +	OUT
12	CC4 +	25	CC4 -	IN	12	Z3 -	25	Z3 +	OUT
13	Inner shield	26	Inner shield	-	13	Inner shield	26	Inner shield	-

- Explanation of Signals

Inner shield: Shield cable (GND)

X0+, X0-...X3+, X3-: Data output (Channel Link)

Xclk+, Xclk-: Clock output for above data output synchronization (Channel Link)

Y0+, Y0-...Y3+, Y3-: Data output (Channel Link)

Yclk+, Yclk-: Clock output for above data output synchronization (Channel Link)

Z0+, Z0-...Z3+, Z3-: Data output (Channel Link)

Zclk+, Zclk -: Clock output for above data output synchronization (Channel Link)

SerTC+, SerTC- : Serial data input (LVDS)

SerTFG+, SerTFG-: Serial data output (LVDS)

CC1+, CC1- : External synchronous signal input (LVDS)

CC2+, CC2-, CC3+, CC3-, CC4+, CC4-: Not in use (LVDS)

- Camera Link compatible cable

3M: 14B26 –SZLB – xxx – 0LC by or equivalent

Notes:

- 1) To avoid uncoupling of the cable connectors during power on, make sure to clamp them with the locking screws.
- 2) Do not unplug the cables while power is being supplied to the camera.

This camera uses 6-pin round shape push-pull lock type connector for the Power Supply

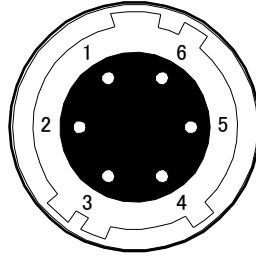


Figure 3-3-4 Power Supply Connector (HIROSE: HR10G-7R-6PB)

Table 3-3-2 Pin Assignment of Power Supply Connector

No	Name	Colour of Cable
1	DC12 –15V	White
2	DC12 –15V	Red
3	DC12 –15V	-
4	GND	Green
5	GND	Black
6	GND	-

Note: The cable colour in the table describes the compatible cable DGPSH-10.

3.4 Power Supply

The camera requires a single power supply (DC+12 to +15V).

The indicator (LED green) blinks when power is supplied. After a short period, it changes to a constant light, indicating that the camera is operational.

Notes:

- 1) When selecting a power source, choose one with the capacity to allow for inrush current. (30 W or more recommended)
- 2) Insert the cable plug securely until it locks into position. This is to prevent the connector from coming loose during power transmission.
- 3) If the lamp fails to illuminate even after power is switched on, turn off power immediately. Inspect wiring. Check the voltage and capacity of the supplied power source.
- 4) It is recommended that the shield processing of the power cable to be connected with GND on the power supply side.

Compatible Cable (Compatible plug): DGPSH10 (HIROSE:HR10A-7P –6S)

Power supply voltage: DC+12 –15V (+/-5%)

Consumption Current (rated): DC+12V: 900mA

4 Camera Control

The camera can be controlled through the serial communication.

Once the camera has been set up according to your requirements, the camera can be used to read data without need of controlling it via the serial interface.

4.1 Flow of Camera Control

4.1.1 Command Overview

The serial interface uses a simple ASCII-based command.

- Communication begins when the computer sends control commands to the camera.
- The camera receives and interprets the computer commands and then executes control operations accordingly.
- Transmission ends when the camera returns the analyzed results of the control commands to the computer.
- Always allow the previous transmission to end before starting the next transmission. (Only one command can be sent per transmission.)

4.1.2 Camera Receiving Message (PC Sending Command)

- Format S1 CMD CR
- Format S2 CMD □ VAL 1 CR
- Format S3 CMD □ VAL 1 □ VAL2 CR

CMD: Control text (3 Bytes) Use 3 lowercase letters only. No numerals allowed.

CR: Carriage Return (0x0D)

□: Space (0x20) or Comma (0x2C)

VAL1: Setting value (decimal), numerical values only

VAL2: Setting value (decimal), numerical values only

4.1.3 Camera Sending Message (PC Receiving Message)

- Format R 1 >R CR >[SB] CR EOT
- Format R 2 >R CR >[MEM] CR >[SB] CR EOT

> : Results start text (0 x 3E)
 R: Camera receive command analyzed results (See table 4-1-3-1)
 [SB] : Camera receive command send back
 [MEM] : Memory data readout value
 CR: Separated text (0 x 0D)
 EOT: Send command all text end text (0 x 04)

Table 4-1-3-1 Error Messages

Camera Response	Meaning
OK	Camera executed command
CMD ERR!	Command is not valid
CMD OVR ERR!	Command text line is too long When the control character exceeds 254 characters
CMD FAIL !	When trying to perform acquisition of pixel correction data, but pixel correction mode is set to any mode other than User Setting.
VAL ERR!	Parameter accepted was outside of specified
MEM ERR!	Camera memory error
TRG ERR!	When the scanning interval becomes more than a few seconds when arbitrary pixel correction data is acquired.
ADJ ERR!	When automatic white balance cannot be performed

4.1.4 Camera Control Commands

Table 4-1-4-1 shows the list of Camera Control Commands.

Table 4-1-4-1 Lists of Camera Control Commands

Control Item	CMD	VAL1	VAL2	Control Description
Analog Gain (RGB Shared)	gax	0 to 5	/	x1,x2,x3,x4,x6,x8 (x1-x3 recommended)
Digital Gain (RGB Shared)	gdx	0 to 511	/	x1... x2 (1+VAL1/511)
Digital Gain R	gdxr	0 to 1022	/	x1~x3 (1+VAL1/511)
Digital Gain G	gdxg	0 to 1022	/	x1~x3 (1+VAL1/511)
Digital Gain B	gdxb	0 to 1022	/	x1~x3 (1+VAL1/511)
Auto white balance Setting	awb	/	/	Run gdxr,gdxg,gdxb auto balance function
Auto white balance reset	rwb	/	/	Set gdxr,gdxg,gdxb to x1
Digital Offset (RGB Shared)	odx	-80 to 80	/	-40~+40DN (0.5DN/step at 8bit) -160~+160DN (2.0DN/step at 10bit)
Digital Offset R	odxr	-40 to 40	/	-20~+ 20DN (0.5DN/step at 8bit) -80~+80DN (2.0DN/step at 10bit)
Digital Offset G	odxrg	-40 to 40	/	- 20~+ 20DN (0.5DN/step at 8bit) -80~+80DN (2.0DN/step at 10bit)
Digital Offset B	odxb	-40 to 40	/	- 20~+ 20DN (0.5DN/step at 8bit) -80~+80DN (2.0DN/step at 10bit)
Exposure Mode	inm	0 /1/2	/	Free Run / Ext Edge / Ext Level
Programmable Exposure Time	int	32	61 to 32767	48.8~26213.6 μs
Output Signal Setting	voa	0 /1	/	Colour 24bit /30bit
Test Pattern	tpn	0/1/2	/	Off/Gray/Colour Bar
Pixel Correction Setting	shc	0/1/2/3	/	0:Correction data Off /1:Factory correction data On /2:User arbitrary correction data 1 On /3: User arbitrary correction data 2 On
Scanning Direction	rev	0 /1	/	0: Forward / 1: Reverse
Memory Initializing	rst	/	/	Reset to factory settings
Memory Load	rfd	/	/	Readout setup data in memory
Memory Save	sav	/	/	Store present setup data in memory
Pixel Correction Data Save [gray]	wht	/	/	Arbitrary user's correction data is acquired and stored in the memory.

Pixel Correction Data Save [dark]	blk			Arbitrary user's correction data is acquired and stored in the memory.
Pixel Correction target value (factory settings) R	MFr	0 to 1023		Factory correction data R target value (10bit DN)
Pixel Correction target value (factory settings) G	MFg	0 to 1023		Factory correction data G target value (10bit DN)
Pixel Correction target value (factory settings) B	MFb	0 to 1023		Factory correction data B target value (10bit DN)
Pixel Correction target value (user settings 1) R	MUr	0 to 1023		User arbitrary correction data 1 R target value (10bit DN)
Pixel Correction target value (user settings 1) G	MUg	0 to 1023		User arbitrary correction data 1 G target value (10bit DN)
Pixel Correction target value (user settings 1) B	MUb	0 to 1023		User arbitrary correction data 1 B target value (10bit DN)
Pixel Correction target value (user settings 2) R	MVr	0 to 1023		User arbitrary correction data 2 R target value (10bit DN)
Pixel Correction target value (user settings 2) G	MVg	0 to 1023		User arbitrary correction data 2 G target value (10bit DN)
Pixel Correction target value (user settings 2) B	MVb	0 to 1023		User arbitrary correction data 2 B target value (10bit DN)
Auto Pixel Correction Data target value setting	atgt	0/1		RGB individual setting / 1:RGB common setting
Readout Internal Temperature	temp			Displays internal PCB temperature (°C)
Colour Selection	colsel	0 to 7		All On/R/G/B/RG/BG/RB/All Off
Pixel Binning setting	bin	0/1/2		Off/On(additional)/ On(additional average)
Gamma Correction setting	gamma	0/1/2/3		Off(1.0)/0.45/0.56/Negative-Positive
Noise Reduction Function	nr	0/1		Off/On
Operation Status Readout	sta			Readout the current camera settings
Transmission Speed (baud rate) Setting	sbaud	9600 19200 57600 115200		9600(initial),19200,57600, 115200bps

4.1.5 Memory Setup Values (Factory Settings)

The memory setup values (factory settings) are shown in Table 4-1-5-1.

Table 4-1-5-1 Memory Setup Values (Factory Settings)

Control Item	CMD	VAL1	VAL2	Control Description
Analog Gain	gax	1	/	x2 (6 dB)
Digital Gain (RGB Shared)	gdx	0	/	x1 (0 dB)
Digital Gain R	gdxr	0	/	x1 (0 dB)
Digital Gain G	gdxg	0	/	x1 (0 dB)
Digital Gain B	gdxb	0	/	x1 (0 dB)
Digital Offset (RGB Shared)	odx	0	/	0DN
Digital Offset R	odxr	0	/	0DN
Digital Offset G	odxg	0	/	0DN
Digital Offset B	odxb	0	/	0DN
Exposure Mode	inm	0	/	Free Run
Programmable Exposure Time	int	32	119	95.2 μ s
Output Signal Setting	voa	0	/	Colour 24bit
Test Pattern	tpn	0	/	Off
Pixel Correction Setting	shc	1	/	Factory correction data On, (Daylight Fluorescent Light)
Scanning Direction	rev	0	/	Forward
Pixel Correction target value (factory settings) R	MFr	768	/	Factory correction data R target value (768 DN)
Pixel Correction target value (factory settings) G	MFg	768	/	Factory correction data G target value (768 DN)
Pixel Correction target value (factory settings) B	MFb	768	/	Factory correction data B target value (768 DN)
Pixel Correction target value (user settings 1) R	MUr	768	/	User arbitrary correction data 1 R target value (768 DN)
Pixel Correction target value (user settings 1) G	MUg	768	/	User arbitrary correction data 1 G target value (768 DN)
Pixel Correction target value (user settings 1) B	MUb	768	/	User arbitrary correction data 1 B target value (768 DN)
Pixel Correction target value (user settings 2) R	MVr	768	/	User arbitrary correction data 2 R target value (768 DN)
Pixel Correction target value (user settings 2) G	MVg	768	/	User arbitrary correction data 2 G target value (768 DN)

Pixel Correction target value (user settings 2) B	MVb	768		User arbitrary correction data 2 B target value (768 DN)
Colour Selection	colsel	0		All On
Pixel Binning	bin	0		Off
Gamma Correction Setting	gamma	0		Off (1,0)
Noise Reduction Function	nr	0		Off

4.2 Details on Commands

4.2.1 Setting Analog Gain

Sets analog gain in 6 steps between x 1 to x 8.

- Format S2 CMD □ VAL1 CR Format R1 >R CR >[SB] CR EOT
- CMD gax
- VAL 0 (x1) to 5 (x8)

<Example>

Send: gax □ 2 CR (Setting analog gain 2(x3))

Receive: >OK CR>gax □ 2 CR EOT

4.2.2 Setting Digital Gain (1)

Sets the camera digital gain.

RGB Shared (gdx): Sets digital gain in 512 steps between x1 and x2.

R, G, B individual (gdxr, gdxg, gdx): Sets digital gain in 1023 steps between x1 and x3.

- Format S2 CMD □ VAL1 CR, Format R1 >R CR >[SB] CR EOT
- CMD gdx, gdxr, gdxg, gdx
- VAL Shared : 0 (x 1) to 511 (x 2) R,G,B individual: 0 (x1) ~ 1022 (x3)

<Example>

Send: gdx □ 256 CR (Setting digital gain B 256 (1+256/511) =x1. 50))

Receive: : >OK CR > gdx □ 256 CR EOT

4.2.3 Setting Digital Gain (2)

Set individual R, G, B gain (gdxr, gdxg, gdx), “automatically”.

- Format S1 CMD CR Format R2 >R CR >[MEM] CR >[SB] CR EOT
- CMD awb

<Example>

Send : awb CR

Receive: : >OK CR > awb CR EOT

4.2.4 Setting Digital Gain (3)

Set R,G,B individual digital gain settings (gdxr, gdxg, gdxg) to initial value of "0"

- Format S1 CMD CR Format R2 >R CR >[MEM] CR >[SB] CR EOT
- CMD rwb

<Example>

Send : rwb CR

Receive: : >OK CR > rwb CR EOT

4.2.5 Setting Digital Offset

Sets digital offset -60 to 60(0.5DN/step at 8bit), -240 to 240(2.0DN/step at 10bit)

- Format S2 CMD □ VAL1 CR, Format R1 >R CR >[SB] CR EOT
- CMD odx,odxr, odxg, odxg
- VAL -80 to 80 (odx) ,-40 to 40(odxr, odxg, odxg)

<Example>

Send : odxg □ 5 CR (Sets Digital Offset G to +10DN at 10bit)

Receive: : >OK CR >odxg □ 5 CR EOT

4.2.6 Setting Exposure Mode

Sets the exposure mode.

- Format S2 CMD □ VAL1 CR, Format R1 >R CR >[SB] CR EOT
- CMD inm
- VAL 0,1,2

<Example>

Send : inm □ 0 CR (Sets the exposure mode to free run)

Receive: : >OK CR >inm □ 0 CR EOT

4.2.7 Setting Exposure Time

Sets the exposure time. Only operates at Free Run/Ext Edge.

- Format S3 CMD □ VAL1 □ VAL2 CR, Format R1 >R CR >[SB] CR EOT
- CMD int
- VAL1 32 (Fixed Dividing setting)
- VAL2 61~32767 (Setting Counter value)

<Example>

Send : int □ 32 □ 271 CR (Setting exposure time 80μs)

Receive: : >OK CR >int □ 32 □ 271 CR EOT

Note:

See 4.8.1.1 for the calculation of the exposure time.

4.2.8 Setting Output Signals (Setting Data Format)

Sets the data format of output signals.

- Format S3 CMD □ VAL1 □ CR, Format R1 >R CR >[SB] CR EOT
- CMD voa
- VAL1 0,1 (0:24bit ,1:30bit)

<Example>

Send : voa □ 1 □ CR (Colour 30bit output)

Receive: : >OK CR >voa □ 1 □ CR EOT

4.2.9 Setting Scanning Direction

Switch scanning direction.

- Format S2 CMD □ VAL1 CR, Format R1 >R CR >[SB] CR EOT
- CMD rev
- VAL1 0,1 (0:Forward, 1:Reverse)

<Example>

Send : rev □ 1 CR (Reverse output)

Receive: : >OK CR >rev □ 1 CR EOT

4.2.10 Saving Pixel Correction Data (1)

Acquires the current pixel correction data (gray) and saves it in the flash memory.

One set of correction data can be saved for each step of analog gain.

- Format S1 CMD CR, Format R1 >R CR >[SB] CR EOT
- CMD wht

<Example>

Send : wht CR

Receive: : >OK CR >wht CR EOT

4.2.11 Saving Pixel Correction Data(2)

Acquires the current pixel correction data (dark) and saves it in the flash memory.

One correction data can be saved at each step of analog gain.

- Format S1 CMD CR, Format R1 >R CR >[SB] CR EOT
- CMD blk

<Example>

Send : blk CR

Receive: : >OK CR >blk CR EOT

4.2.12 Setting Pixel Correction (1)

Switches between pixel correction data settings.

- Format S2 CMD □ VAL1 CR, Format R1 >R CR >[SB] CR EOT
- CMD shc
- VAL1 0,1,2,3 (0:Correction Off
 - 1: Factory correction data On
 - 2: User arbitrary correction data 1 On
 - 3: User arbitrary correction data 2 On)

<Example>

Send : shc □ 2 CR (User arbitrary correction data 1)

Receive: : >OK CR >shc □ 2 CR EOT

4.2.13 Setting Pixel Correction (2)

Manually sets the pixel correction target value.

- Format S2 CMD □ VAL1 CR, Format R1 >R CR >[SB] CR EOT
- CMD MFr, MFg, MFb, MUr, MUg, MUb, MVr, MVg, MVb
- VAL1 0~1023

<Example>Sets the Blue target value to 900DN while using User arbitrary correction data 1

Send : MUb □ 900 CR

Receive: : >OK CR > MUb □ 900 CR EOT

4.2.14 Setting Pixel Correction (3)

Automatically sets the pixel correction target value

- Format S2 CMD □ VAL1 CR, Format R1 >R CR >[SB] CR EOT
- CMD atgt
- VAL1 0,1 (0: RGB individual setting, 1: RGB common setting)

<Example>Set common RGB target value for user arbitrary pixel

Send: atgt □ 1 CR

Receive: >OK CR > atgt □ 1 CR EOT

4.2.15 Generating Test Pattern

Switches between test pattern displays.

- Format S2 CMD □ VAL1 CR, Format R1 >R CR >[SB] CR EOT
- CMD tpn
- VAL 0,1,2 (0:Image data, 1: Gray test pattern, 2: Colour bar test pattern)

<Example>

Send : tpn □ 1 CR (Generating gray test pattern)

Receive: : >OK CR >tpn □ 1 CR EOT

4.2.16 Colour Output Selection

Switches between R,G,B image data output channels

- Format S2 CMD □ VAL1 CR, Format R1 >R CR >[SB] CR EOT
- CMD colsel
- VAL 0,1,2,3,4,5,6,7 (0:RGB,1:R,2:G,3:B,4:RG,5:BG,6:RB,7:output off)

<Example> Output only R *G, B output 0

Send : colsel □ 1 CR

Receive: : >OK CR > colsel □ 1 CR EOT

4.2.17 Setting Adjacent Pixel Binning

Switches Adjacent Pixel Binning (combination) On/Off

- Format S2 CMD □ VAL1 CR, Format R1 >R CR >[SB] CR EOT
- CMD bin
- VAL 0,1,2 (0:Off,1:On(additional),2 On(average))

<Example> Set Binning On

Send : bin □ 1 CR

Receive: : >OK CR > bin □ 1 CR EOT

4.2.18 Setting Gamma correction

Switches Gamma correction value.

- Format S2 CMD □ VAL1 CR, Format R1 >R CR >[SB] CR EOT
- CMD gamma
- VAL 0,1,2,3 (0:Off(1.0),1:0.45, 2:0.56 3: Reverse Negative-Positive)

<Example> Set the gamma adjustment to 0.45

Send : gamma □ 1 CR

Receive : >OK CR > bin □ 1 CR EOT

4.2.19 Noise Reduction Function

Switch the Noise Reduction function On/Off

- Format S2 CMD □ VAL1 CR, Format R1 >R CR >[SB] CR EOT
- CMD nr
- VAL 0,1 (0:Off,1:On)

<Example> Switch the Noise reduction function On

Send : nr □ 1 CR

Receive : >OK CR > nr □ 1 CR EOT

4.2.20 Readout Camera Internal PCB Temperature

Reads out the camera's internal PCB temperature (Accurate to +/-2°C)

- Format S1 CMD CR, Format R2 >R CR >[MEM] CR >[SB] CR EOT
- CMD temp

<Example>

Send; temp CR

Receive: >OK CR > Camera Temp= 61.1 Celsius CR > temp CR EOT

4.2.21 Memory Initializing (Initializing Camera Settings)

Reset the flash memory to the factory default.

- Format S1 CMD CR, Format R2 >R CR >[MEM] CR >[SB] CR EOT
- CMD rst

<Example>

Send : rst CR

Receive: : >OK CR >Type=XCM3C4080T3 CR >Ver.= 1.35_0x4007 CR

>Serial=123456 CR

>gax 1 CR >gdx 0 CR >gdxr 0 CR >gdxg 0 CR >gdx b 0 CR

>odx 0 CR >odxr 0 CR >odxg 0 CR >odx b 0 CR

>inm 0 CR >int 32,119 CR >voa 0,0 CR >tpn 0 CR >shc 1,0 CR

>MFr 768 CR >MFg 768 CR >MFb 768 CR

>MUr 768 CR >MUg 768 CR >MUb 768 CR

>Mvr 768 CR >MVg 768 CR >MVb 768 CR

>rev 0 CR >colsel 0 CR >bin 0 CR >bosr 4 CR >bosg 4 CR >bosb 4 CR

>gamma 0 CR >nr 0 CR >rst CR EOT

4.2.22 Memory Load

Reads out the camera settings from the flash memory.

- Format S1 CMD CR, Format R2 >R CR >[MEM] CR >[SB] CR EOT
- CMD rfd

<Example>

Send : rfd CR

Receive: : >OK CR >Type=XCM3C4080T3 CR >Ver.= 1.35_0x4007 CR

>Serial=123456 CR

>gax 1 CR >gdx 0 CR >gdxr 0 CR >gdxg 0 CR >gdx b 0 CR

>odx 0 CR >odxr 0 CR >odxg 0 CR >odx b 0 CR

>inm 0 CR >int 32,119 CR >voa 0,0 CR >tpn 0 CR >shc 1,0 CR

>MFr 768 CR >MFg 768 CR >MFb 768 CR

>MUr 768 CR >MUg 768 CR >MUb 768 CR


```
>MvR 768 CR >MVg 768 CR >MVb 768 CR
>rev 0 CR >colsel 0 CR >bin 0 CR >bosr 4 CR >bosg 4 CR >bosb 4 CR
>gamma 0 CR >nr 0 CR
>rfd CR EOT
```

4.2.23 Memory Save

Stores the current camera settings in the flash memory.

- Format S1 CMD CR, Format R1 >R CR >[SB] CR EOT
- CMD sav

<Example>

Send : sav CR

Receive: : >OK CR >sav CR EOT

4.2.24 Returning the Camera Settings to the its original status

Returns the current camera settings.

- Format S1 CMD CR, Format R2 >R CR >[MEM] CR >[SB] CR EOT
- CMD sta

<Example>

Send : sta CR

Receive: : >OK CR >Type=XCM3C4080T3 CR >Ver.=1.35_0x4007 CR

>Serial=123456 CR

>gax 1 CR >gdxr0 CR >gdxr 0 CR>gdxcg 0 CR>gdxb 0 CR

>odx 0 CR >odxr 0 CR>odxcg 0 CR>odxb 0 CR

>inm 0 CR >int 32,119 CR >voa 0,0 CR >tpn 0 CR >shc 1,0 CR

>MFr 768 CR >MFg 768 CR >MFb 768 CR

>MUr 768 CR >MUg 768 CR >MUb 768 CR

>MvR 768 CR >MVg 768 CR >MVb 768 CR

>rev 0 CR >colsel 0 CR >bin 0 CR >bosr 4 CR >bosg 4 CR >bosb 4 CR

>gamma 0 CR >nr 0 CR >sta CR EOT

4.2.25 Setting Transmission speed

Sets the serial Transmission speed (baud rate)

- Format S2 CMD □ VAL1 CR, Format R1 >R CR >[SB] CR EOT
- CMD sbaud
- VAL 9600,19200,57600,115200

<Example> Set to 115200bps.

Send : sbaud□ 115200 CR

Receive: : >OK CR > sbaud□ 115200 CR EOT

Note:

The initial setting at startup is 9600.

4.3 Digital Processing flow in FPGA

The digital processing flow in FPGA is shown below.

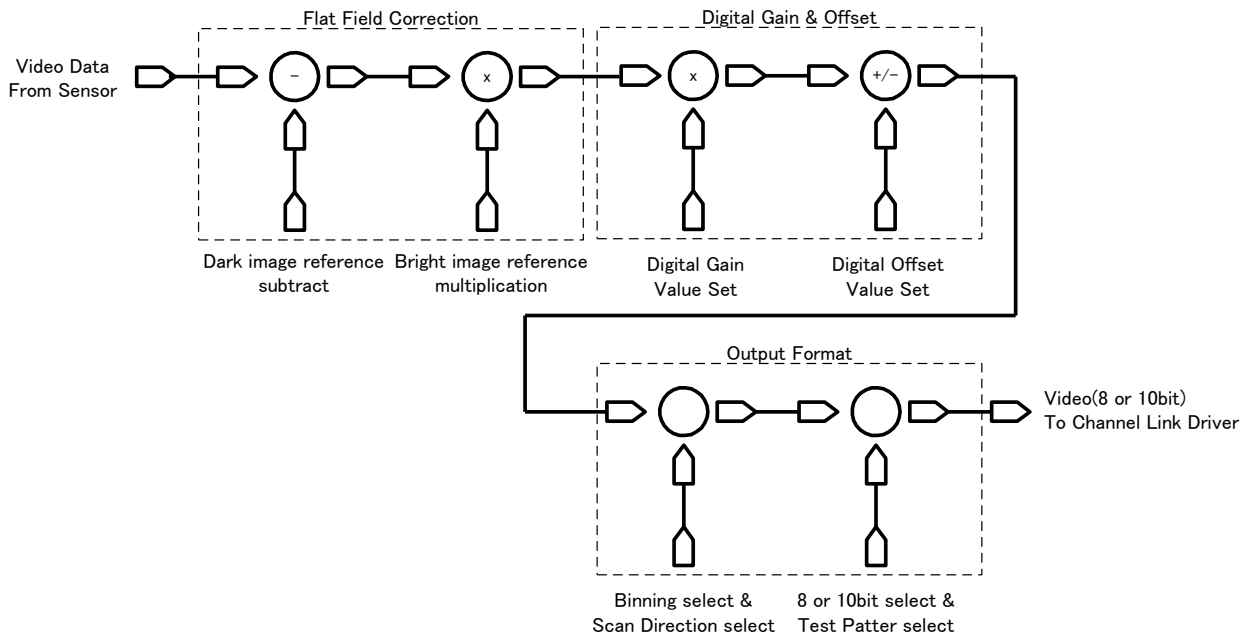


Figure 4-3-1 FPGA Processing Block Diagram

4.4 Startup

After turning on, the camera runs a startup procedure before it starts getting images and outputting data. It takes about 12 seconds.

The startup procedure is as follows:

- (1) The camera hardware initializes. The indicator (LED green) blinks.
- (2) Reads out the latest camera settings from the flash memory. (User settings if any or factory default settings)
- (3) Set up the camera with the setting value from the flash memory.

The indicator (LED green) changes from blinking into lighting.

After those sequences, the camera is ready to get images and output data.

4.5 Saving and Loading Camera Settings

The camera settings data is saved in the internal memory (flash memory) and is loaded from the memory when turning on the power supply or loading (sending the “rfd” command).

Commands for rewriting the memory are as follows.

- Reset to factory settings (rst)
- Store present setup data in memory (sav)
- Store pixel correction data in memory (wht,blk)

Notes:

- 1) The number of times the flash memory can be rewritten will vary depending on actual operational conditions.
- 2) After turning on the power supply, the camera always checks the memory status. If the data is not within the designated range due to a malfunction or other type of trouble, the memory will be automatically reset to the factory settings.
- 3) If the camera power is disconnected while rewriting the memory, the whole data saved in the memory will be deleted.
- 4) As it takes several seconds to rewrite the memory, do not disconnect power supply before receiving the answer from the camera.
- 5) When changing the factory setting exposure mode, be sure to send the control input signal (CC1). If you do not send CC1 or sending control input signals are out of the designated range, you cannot get images and cannot change the settings. See 4.8.2 and 4.8.3.

Table 4-5-1 Camera Operation Mode and Control Input

Camera operation mode (Exposure mode)	Control input (From frame grabber board)
Free Run (Programmable time setting) (Factory setting)	Not in use
Ext Edge (External trigger edge + Programmable time setting)	External trigger (CC1) is required
Ext Level (External trigger level time setting)	External trigger (CC1) is required

4.6 Serial Communication Settings

Serial communication is performed through the Camera Link Interface

Table 4-6-1 shows serial communication settings.

Table 4-6-1 Serial Communication Settings

Parameter Items	Setup Value
Communication Speed (baud rate)	9600bps
Data Length	8bit
Parity Bit	None
Stop bit	1bit
Flow Control	None

4.7 Video Output Format

The camera outputs 8-bit or 10-bit digital data.

The A/D converter of the camera has a 10-bit resolution. For 8-bit output, the upper 8-bits of the signal can be output as video data.

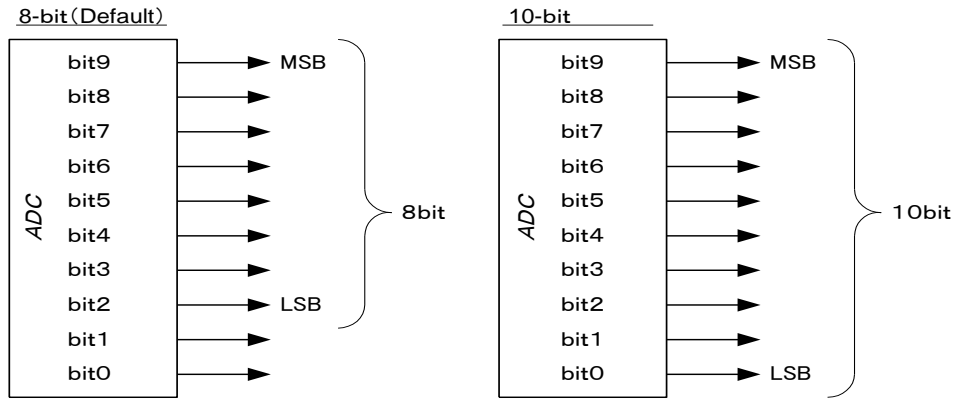


Figure 4-7-1 Pin Assignments of Digital Data

Video output phase of the camera is shown below.

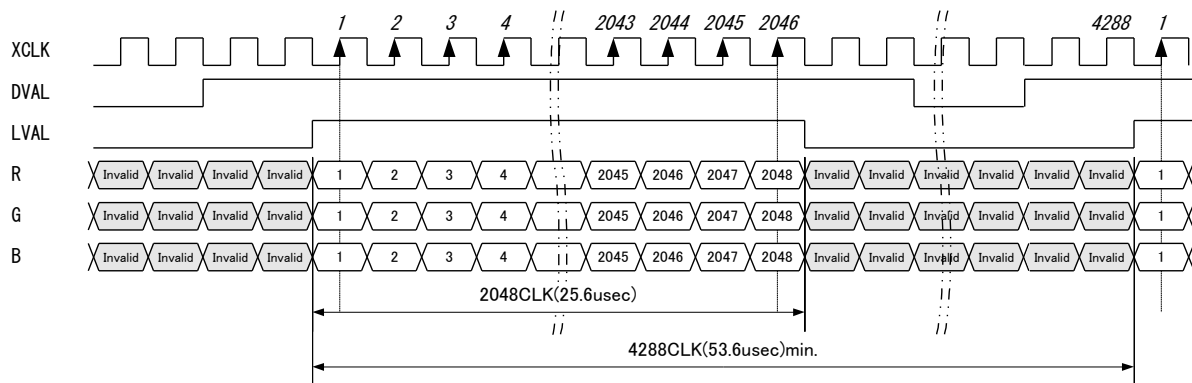


Figure 4-7-2 Video Output Phase of the Camera (2048 Pixel output in binning mode)

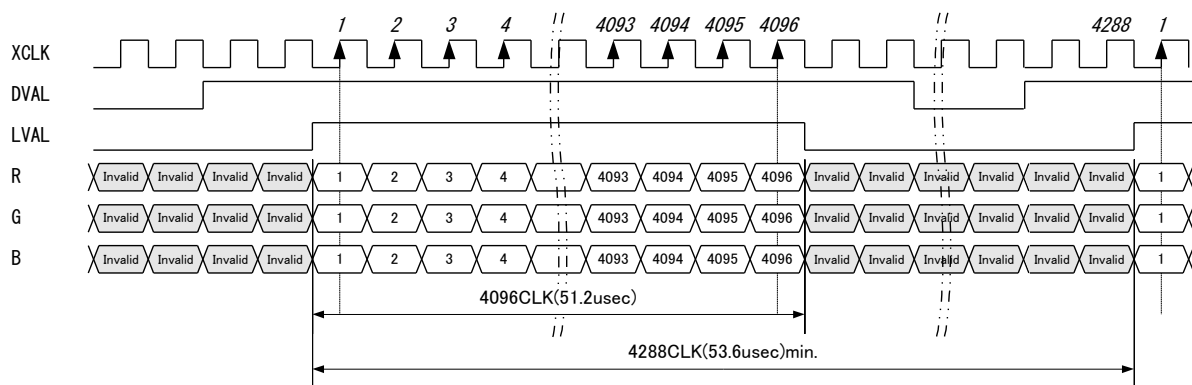


Figure 4-7-3 Video Output Phase of the Camera (4096 pixel output with binning off)

Note:

- 1) FVAL = 0 (low level) fixed
- 2) When outputting 24-bit colour, Camera Link Base Configuration is used.
When outputting 30-bit colour, Camera Link Medium Configuration is used.

4.8 Exposure Mode and Timing Chart

The camera has three exposure modes. The overview of each mode and the timing are as follows.

4.8.1 Free Run Exposure Mode (Programming time setting)

In free-run exposure mode, the camera generates its own internal control signal based on two programmable parameters, exposure time and readout time.

Table 4-8-1-1 Programmable Exposure Time

Item	Symbol	XCM3C4080T3
Programmable exposure time	P	48.8 ~ 26213.6
Readout time	R	51.2(Colour 24,30 bit, Binning Off)
Scan rate	S	53.6~ 26218.4

(unit : μs)

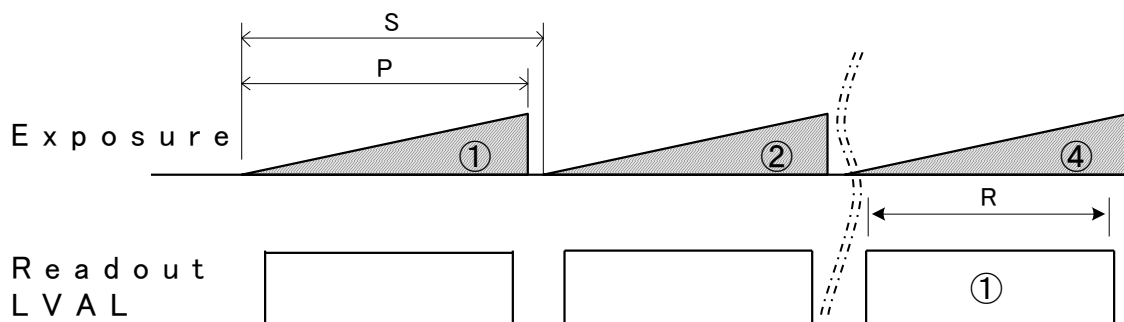


Figure 4-8-1-1 Free Run Exposure Mode

Note:

The timing of the readout is delayed 3 scans from the exposure. The data of Exposure (1) is read out at Readout (1) .

4.8.1.1 Programmable exposure setting time and calculation of scan rate

Calculation 1) $P = \text{Counter} \div \{\text{Clock} \div 2 \div \text{Dividing}\}$

Calculation 2) $S = P + \{[\text{Padding} + 6] \div \{\text{Clock} \div 2 \div \text{Dividing}\}\}$

P	Programmable exposure time (μs)
S	Scan rate (μs)
Clock	80 (MHz)
Padding	0 (fixed)
Dividing	32 (fixed)
Counter	61~32767

(Example)

In case of the camera is "XCM3C4080T3" and the command is "int □ 32 □ 100"

Clock = 80, Dividing = 32, Counter = 100

Programmable exposure time (μs) = $100 \div \{80 \div 2 \div 32\} = 80$

Scan rate (μs) = $80 + \{[0 + 6] \div \{80 \div 2 \div 32\}\} = 84.8$

4.8.2 External Trigger Exposure Mode (External trigger edge)

In external trigger exposure mode (Trigger Edge), the exposure time is determined by the setting through the serial communication, each exposure starts with the rising edge and the line period is determined by the time from rising edge to rising edge of the trigger pulse. The range of programmable exposure time, the timing chart of the exposure and the readout are shown below.

Table 4-8-2-1 Programmable Exposure Time

Item	Symbol	XCM3C4080T3
Programmable exposure time	P	48.8 ~ 26213.6
Readout time	R	51.2 (Colour 24,30Bit,Binning Off)
Trigger pulse H time	T1	≥ 1.6
Trigger pulse L time	T2	≥ 4.8
Trigger pulse cycle	T3	$\geq P + 4.8$

(unit : μs)

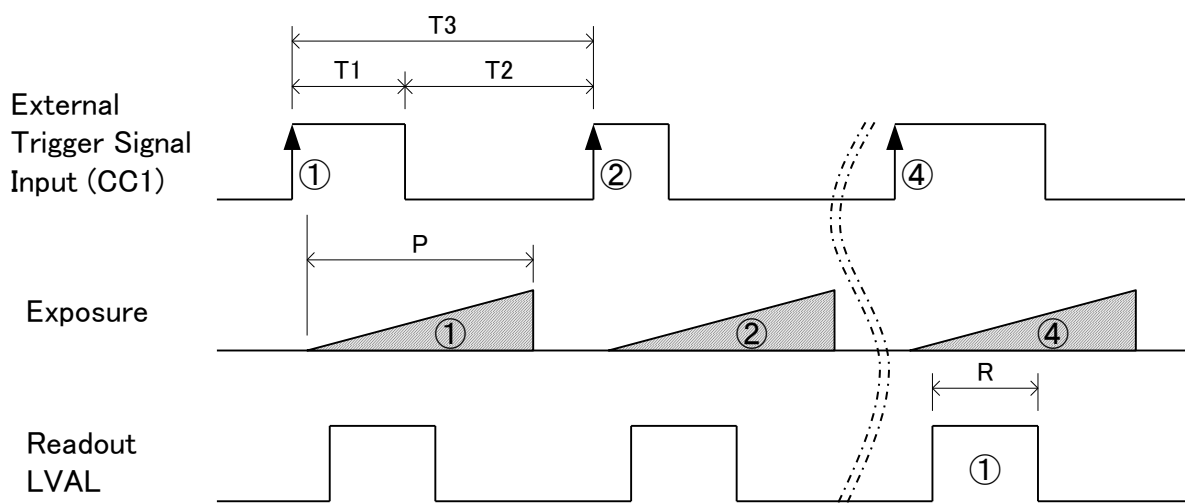


Figure 4-8-2-1 External Trigger (Trigger Edge) Exposure Mode

Notes:

The timing of the readout is delayed 3 scans from the exposure. The data of Exposure (1) is read out at Readout (1).

See 4.8.1.1 for the value of P.

4.8.3 External Trigger Exposure Mode (Trigger Level)

In external trigger exposure mode (Trigger Level), the exposure time is determined by the high trigger pulse time, each exposure starts with the rising edge and the line period is determined by the time rising edge to rising edge of trigger pulse. The range of programmable exposure time, the timing chart of the exposure and the readout are shown below.

Table 4-8-3-1 Programmable Exposure Time (Trigger Level)

Item	Symbol	XCM3C4080T3
Readout time	R	51.2 (Colour 24,30Bit,Binning Off)
Trigger pulse H time (Exposure time)	T1	≥ 48.8
Trigger pulse L time	T2	≥ 4.8
Trigger pulse cycle (Scan rate)	T3	≥ 53.6

(unit : μs)

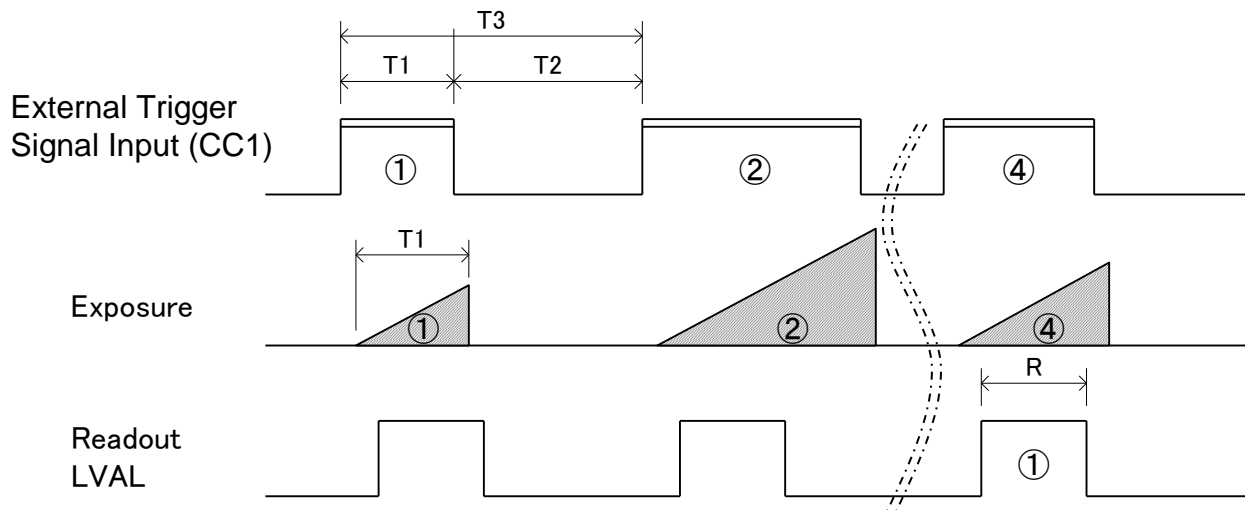


Figure 4-8-3-1 External Trigger (Trigger Level) Exposure Mode

Note:

The timing of the readout is delayed 3 scans from the exposure. The data of Exposure (1) is read out at Readout (1)

4.9 Digital Gain / Offset Settings

4.9.1 Setting Digital Gain (1)

Digital gain is set with the following commands: Digital Gain (Common) “gdx”; digital gain (R) “gdxr”; digital gain (G) “gdxg”; digital gain (B) “gdxb”. RGB (Common) digital gain setting should be used when making small adjustments to multiple cameras. Individual colours’ digital gain should be used for adjusting white balance etc.

Note : Gain and noise are proportionally related. Adjust the amount of gain in accordance with the requirements of your camera system.

4.9.2 Setting Digital Gain (2) Automatic White Balance

By automatically adjusting R, G, B gain, white balance can be adjusted. Setting is done by sending the command “awb”. The camera calculates the average value of the central 256 pixels, then adjusts the other 2 colours to the level of the brightest colour. To return to the previous value, send the command “rwb” to reset each gain level to x1.

Note : If the data change is too large, the image is saturated, or the maximum level is exceeded, an error will occur and adjustment will be cancelled.

4.9.3 Setting Digital Offset

Through the RGB (Common) setting, offset can be set within the range of -40 ~ +40 (DN) for 8-bit, or -160 ~ +160 (DN) for 10-bit output. Through the individual R, G, B settings, offset can be set within the range of -20 ~ +20 (DN) for 8-bit or -80 ~ +80 (DN) for 10-bit output. Offset is set with the following commands: Offset RGB (Common) “odx”; Offset R “odxr”; Offset G “odxg”; Offset B “odxb”.

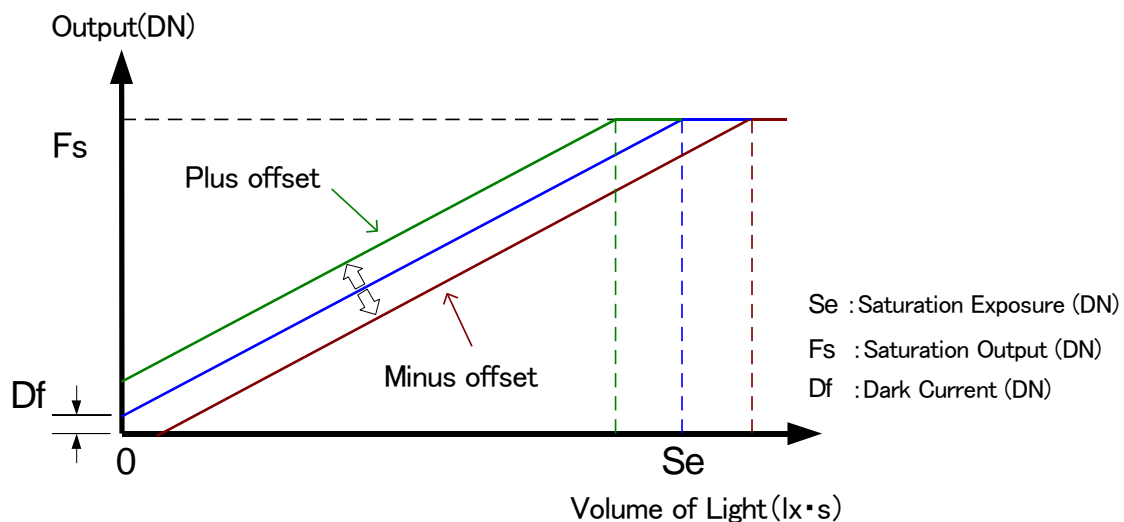


Figure 4-9-3 Saturation Exposure and Dark Current Output

Note : Adjust amount of offset in accordance with the requirements of your camera

system. The gradients of lines do not change.

4.10 Setting Analog Gain

Gain can be adjusted by setting analog gain (6 steps, x1~x8) or digital gain (512 steps, x1~x2). In both cases, increasing the gain setting increases the slope of the camera's response curve, so that the output saturates at a lower level of light. Conversely, with less light, a higher output can be obtained; that is to say, the camera's sensitivity has been increased. Analog gain can be adjusted with the "gax" command.

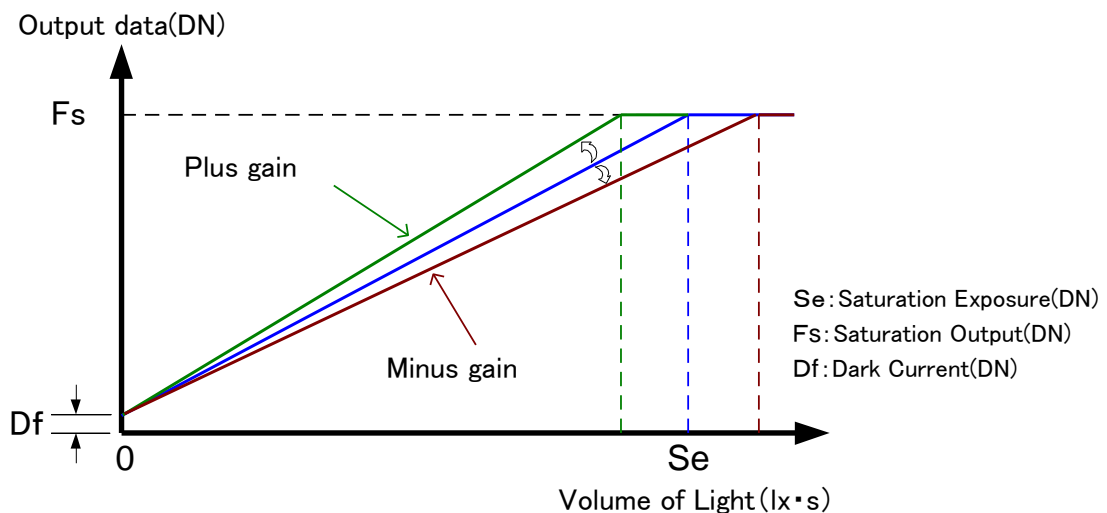


Figure 4-10-1 Gain Adjustment

Gain-Sensitivity at digital gain x1, pixel correction: default, factory white correction data is shown below.

Table 4-10-1 Gain-Sensitivity

	Analog gain	Sensitivity V/ (lx · s)
1	X1(0dB)	40
2	X2 (6dB)	80
3	X3 (9.5dB)	120
4	X4 (12dB)	160
5	X6 (15.5dB)	240
6	X8 (18dB)	320

Note:

Gain and noise values are proportionally related. Adjust amount of gain in accordance with the requirements of your camera system. We recommend using gain from x1 to x3.

4.11 Pixel Correction

Generally speaking, image sensors (CCD, CMOS and so on) have fixed pattern noise and photo response non-uniformity. When you use a lens, lens shadings and light sources also can cause non-uniformity. The camera is factory set to the optimal correction before shipping in order to provide images of high grade. The camera also has a user white correction function in order to cope with lens shading and non-uniform illumination.

Cal_bl : Output data of each pixel in perfect dark (factory correction)
 Cal_wh : Output data of each pixel in uniform illumination (factory correction)
 or when viewing a subject for correction (user white correction)
 Target_Val : Target value for user correction (10bit output conversion value)
 Vin: Input data (Before correction) Vout :Output data (After correction)
 The corrected data is expressed by the following equation.

$$Vout = (Vin - Cal_bl) \times Target_val / (Cal_wh - Cal_bl)$$

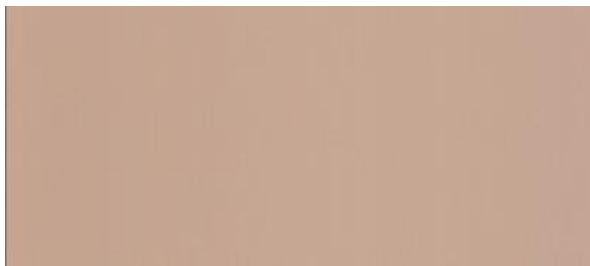
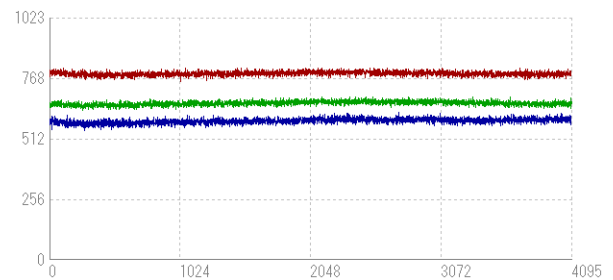


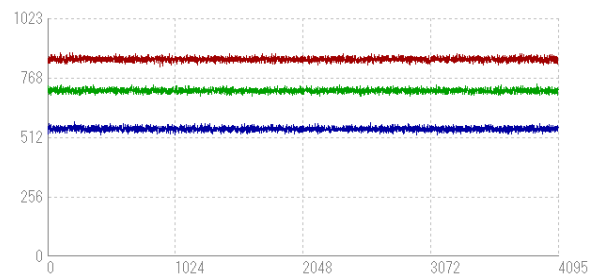
Image "before" user arbitrary pixel is corrected.



Luminance profile of left image



Image "after" user arbitrary pixel is corrected (atgt 0)



Luminance profile of left image

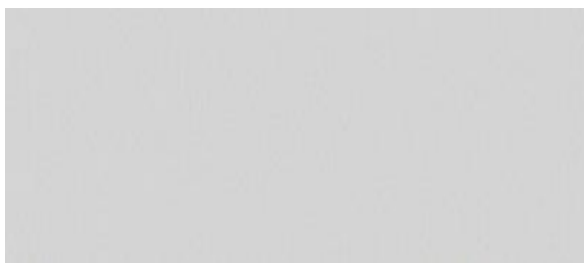
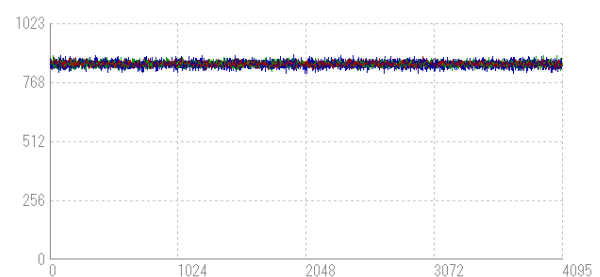


Image "after" user arbitrary pixel is corrected (atgt 1)



Luminance profile of left image

Figure 4-11-1 Waveform and image before and after bit correction

4.11.1 Operating Procedure

Pixel Correction settings are done for either User Arbitrary Correction Data 1 or 2. Send the command “shc2 CR” or “shc3 CR” via the COM port; User Arbitrary Correction Data will be made active.

Put on a lens cap etc. to darken the camera view. Now we can acquire User Arbitrary Correction Data (dark). Send the command “blk CR” via the COM port. The camera should return “>OK” “>blk”. Now the User Arbitrary Correction Data (dark) has been written to the camera’s flash memory.

Next, remove the lens cap so that light enters the camera.

Place a uniformly white object fully in the camera view. Now we can acquire User Arbitrary Correction Data (gray). When this is done with the lens attached, lens and illumination shading will also be corrected at the same time. However, dark and light details of the white object will be picked out, so the lens should be defocused. Next, send the command “wht CR” over the COM port. The camera should return “>OK” “>wht”. Now the User Arbitrary Correction Data (gray) has been written to the camera’s flash memory.

To automatically set the pixel correction target value, send the command “atgt0 CR” or “atgt1 CR” over the COM port. The former sets R, G, B values separately, the latter sets them together. To manually set the pixel correction target value, proceed as below:

Send the command “MurVal CR” via the COM port. The camera should return “>OK” “>Mur” “>Val”. With this, the pixel correction target value R is set.

Send the command “MugVal CR” via the COM port. The camera should return “>OK” “>Mug” “>Val”. With this, the pixel correction target value G is set.

Send the command “MubVal CR” via the COM port. The camera should return “>OK” “>Mub” “>Val”. With this, the pixel correction target value B is set.

Notes:

- 1) For “Val” above, substitute the target value, 0~1023 (10-bit).
- 2) The pixel correction target value should be set slightly higher than the obtained image brightness in order to attain the full range of output.

4.12 Adjusting White Balance

The white balance on this camera has been adjusted by attaching lens for 3-chip cameras, and using a daylight fluorescent light. Depending on the lens and light source you use, it may be necessary to adjust the white balance in one of the two ways described below.

Note: In the following cases, please use the pixel (bit) correction function:

If a variable responsivity pattern appears across the image when using a light source that does not have a broad wavelength, such as a 3-wavelength fluorescent lamp.

The difference between the colour levels is large, and exceeds the maximum value of digital gain.

4.12.1 Pixel (Bit) Correction Function

Correct the white balance using the User White Correction function (see [4.11](#))

4.12.2 Digital Gain Function

Adjust the white balance by adjusting the digital gain of each RGB colour. (see [4.9.1](#)) Adjust automatically using the automatic white balance function (see [4.9.2](#))

4.13 Test Pattern

The test pattern can be used to check whether your system is correctly receiving the camera data.

The test patterns for 24 and 30-bit colour are shown below.

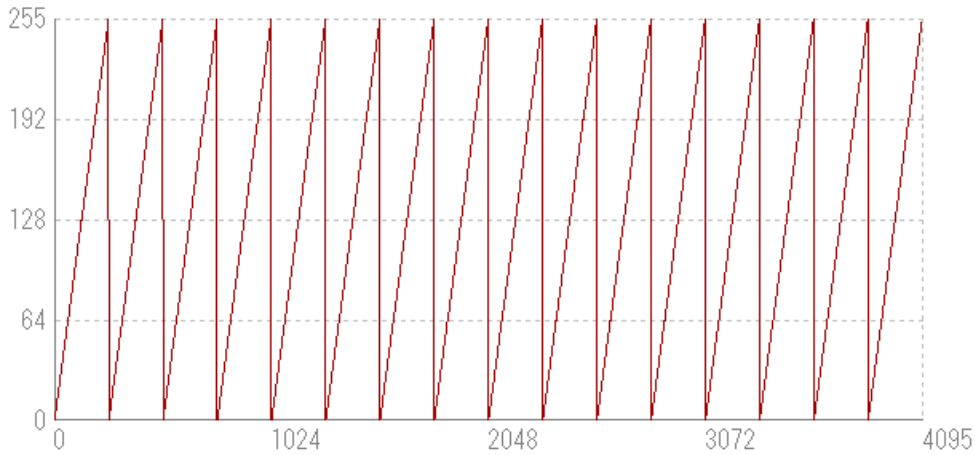


Figure 4-13-1 24-bit Colour Gray Test Pattern

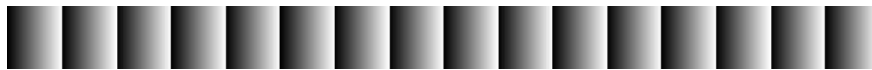


Figure 4-13-2 24-bit Colour Gray Test Image

Where pixel 0 has the value 0DN, the value increases by 1DN each pixel, up to 255DN, then the pattern repeats.



Figure 4-13-3 30-bit Colour Gray Test Pattern



Figure 4-13-4 30-bit Colour Gray Test Image

Where pixel 0 has the value 0DN, the value increases by 1DN each pixel, up to 1023DN, then the pattern repeats.

The Colour 24-/30-bit colour bar test pattern is shown below.

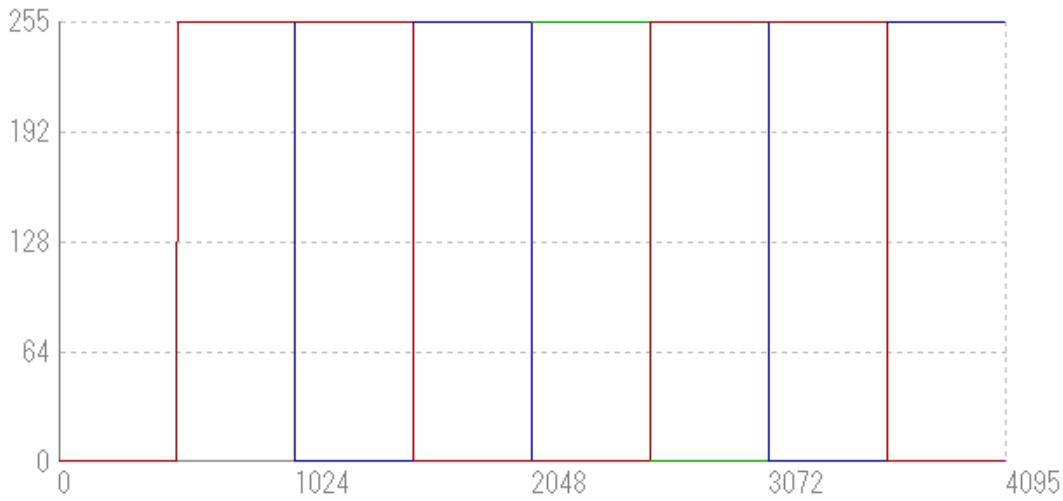


Figure 4-13-5 24-bit Colour Bar Test Pattern



Figure 4-13-6 24-bit Colour Bar Test Image

From the first pixel, the image is a sequence of blocks of 512 pixels: Black (R:0 G:0 B:0), White (R:255, G:255, B:255), Yellow (R:255 G:255 B:0), Aqua (R:0 G:255 B:255), Green (R:0 G:255 B:0) Pink: (R:255 G:0 B: 255), Red (R:255 G:0 B:0), Blue (R:0 G: 0 B:255)

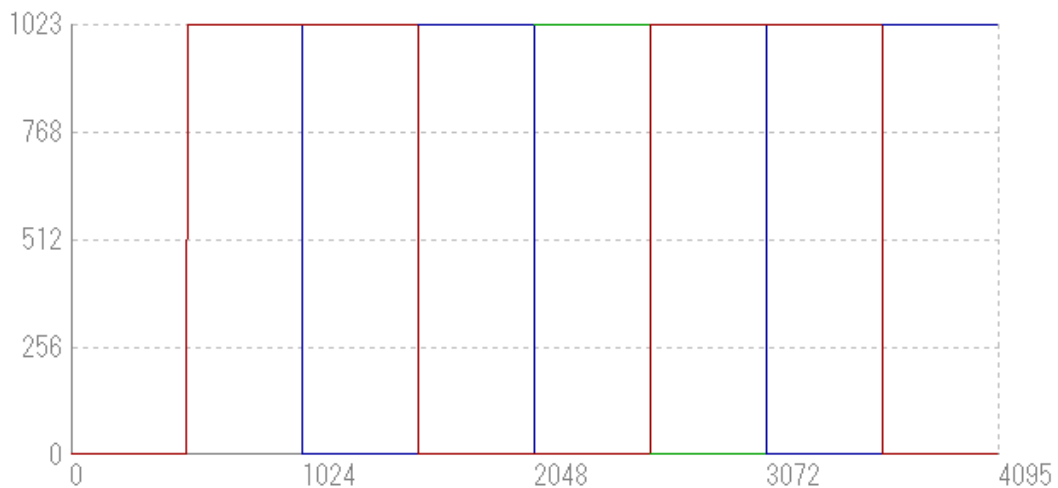


Figure 4-13-7 30-bit Colour Bar Test Pattern



Figure 4-13-8 30-Bit Colour Bar Test Image

From the first pixel, the image is a sequence of blocks of 512 pixels: Black (R:0 G:0 B:0), White (R:1023, G:1023, B:1023), Yellow (R:1023 G:1023 B:0), Aqua (R:0 G:1023 B:1023), Green (R:0 G:1023 B:0) Pink: (R:1023 G:0 B: 1023), Red (R:1023 G:0 B:0), Blue (R:0 G: 0 B:1023)

4.14 Adjacent Pixel Binning

Output video data of adjacent pixels (Px1 + Px2, Px3 + Px4... Px4095 + Px 4096) digitally added.

By “Binning Addition”, the sensitivity is doubled and the noise increased by $\sqrt{2}$ times.

By “Binning Addition Average”, the sensitivity remains the same but the noise decreases by $1/\sqrt{2}$ times.

Resolution (number of pixels) is halved; however the sensitivity is doubled.

The scan rate is unaffected by binning (See figure [4-7-2](#))

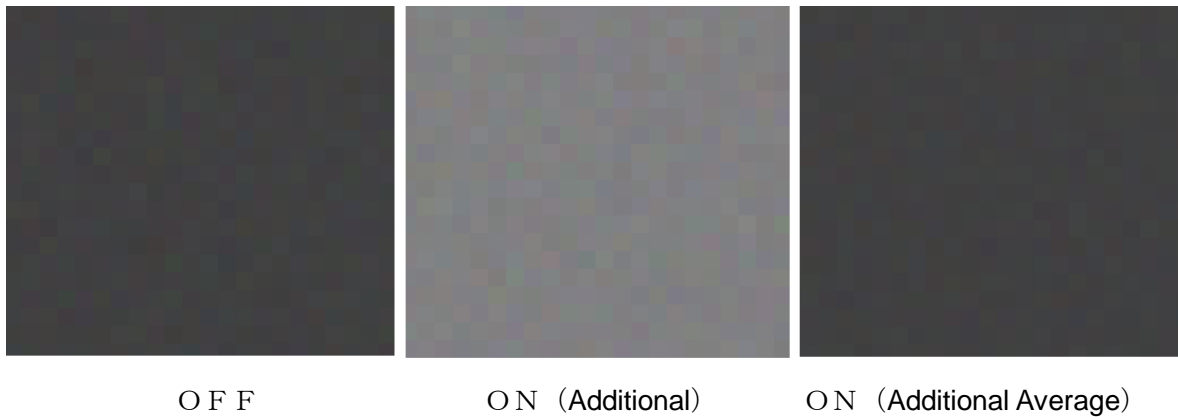


Figure 4-14-1 Adjacent Pixel Binning Image

4.15 Gamma Correction Setting

Switches Gamma correction value.

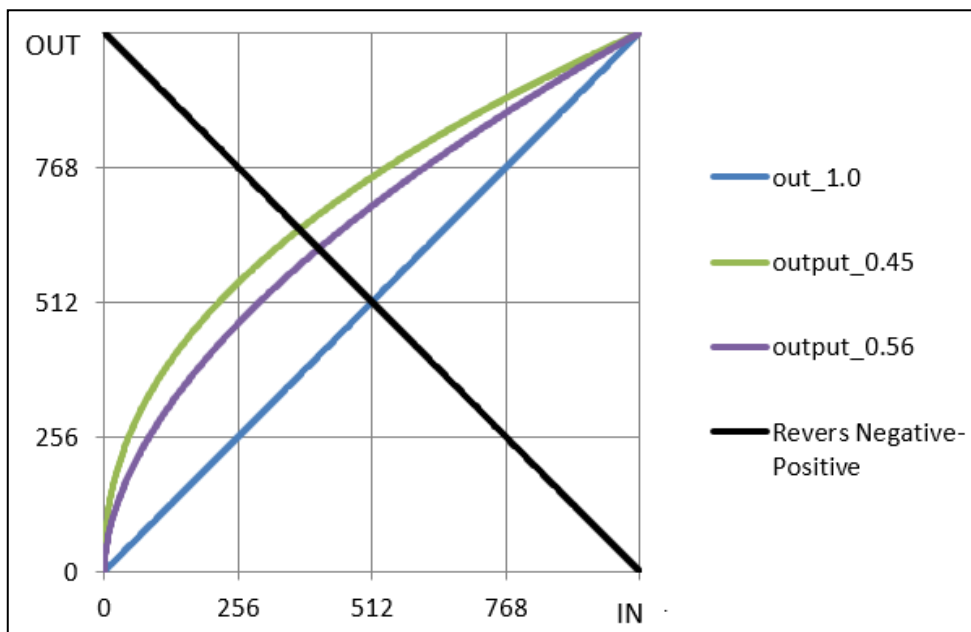


Figure 4-15-1 Gamma Correction Characteristics

4.16 Camera Scan Readout Direction Setting

The camera scan readout direction can be changed from forward to reverse, or vice versa. The correlation between the camera scan readout direction and web (object movement) direction is shown below.

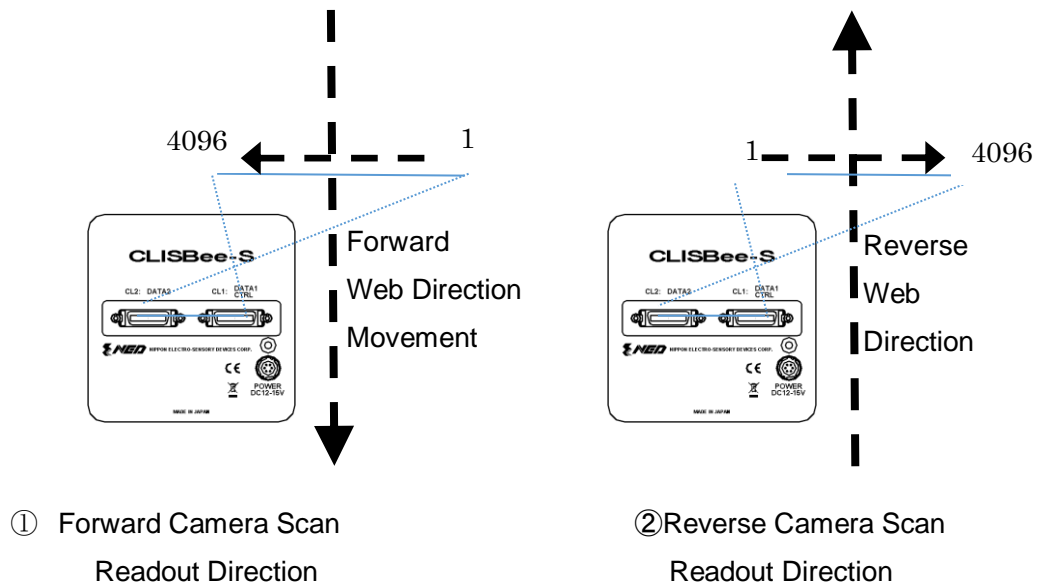


Fig. 4-16-1 Correlation of Camera Scan Readout Direction and Object Movement Direction

5 Sensor Handling Instructions

5.1 Electrostatic Discharge and the Sensor

CMOS sensors are susceptible to damage from electrostatic discharge and can become defective.

5.2 Protecting Against Dust, Oil and Scratches

The CMOS sensor window is part of the optical path and should be handled like other optical components with care. If you use the camera in a dusty area, prepare a dust-proof enclosure. Dust can obscure pixels, producing dark lines on the image.

5.3 Cleaning the Sensor Window

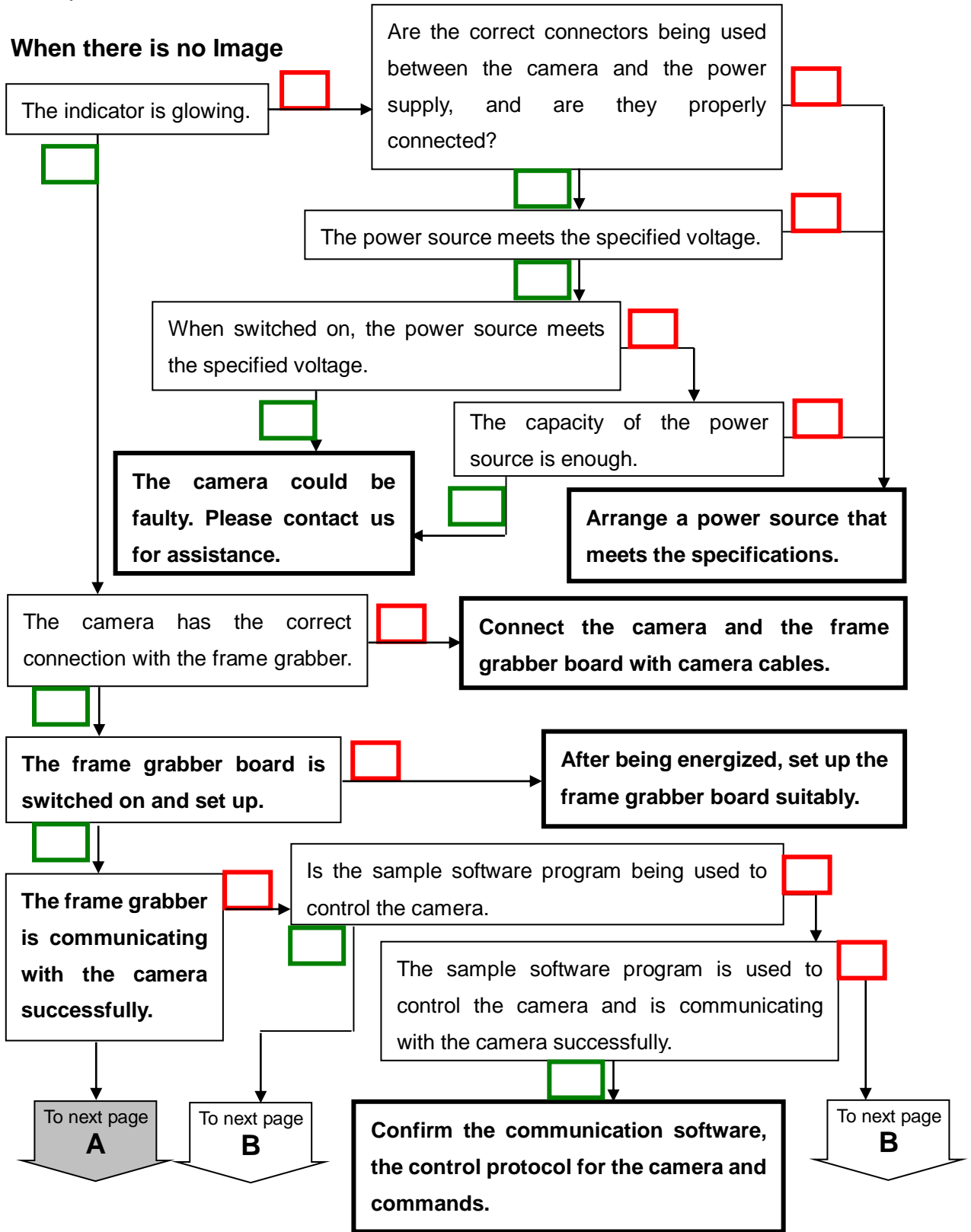
Dust: Can usually be removed by blowing the window surface using a compressed air blower.

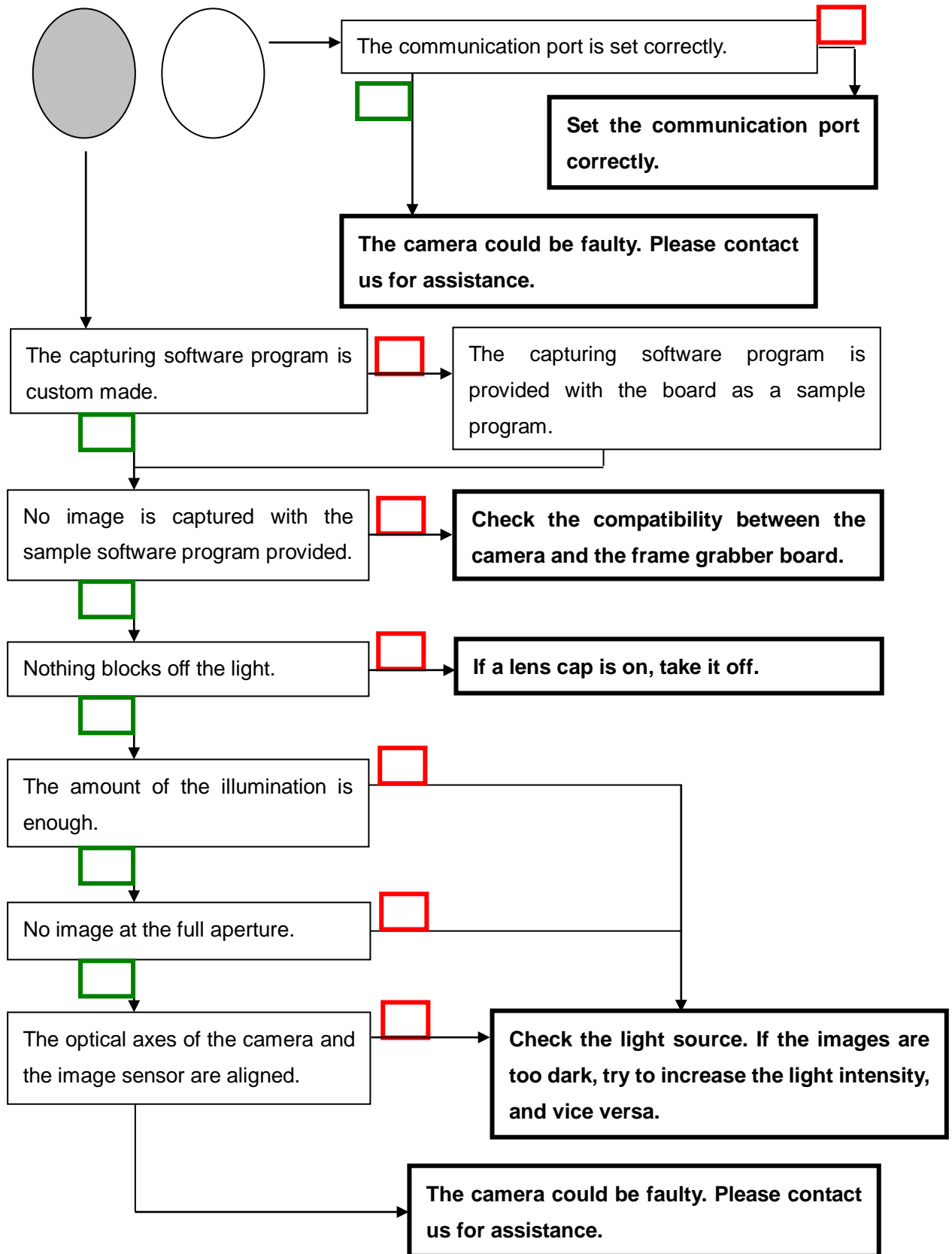
Oil: Wipe the window with a lint-free cloth wiper moistened with ethyl alcohol carefully and slowly.

6 Troubleshooting

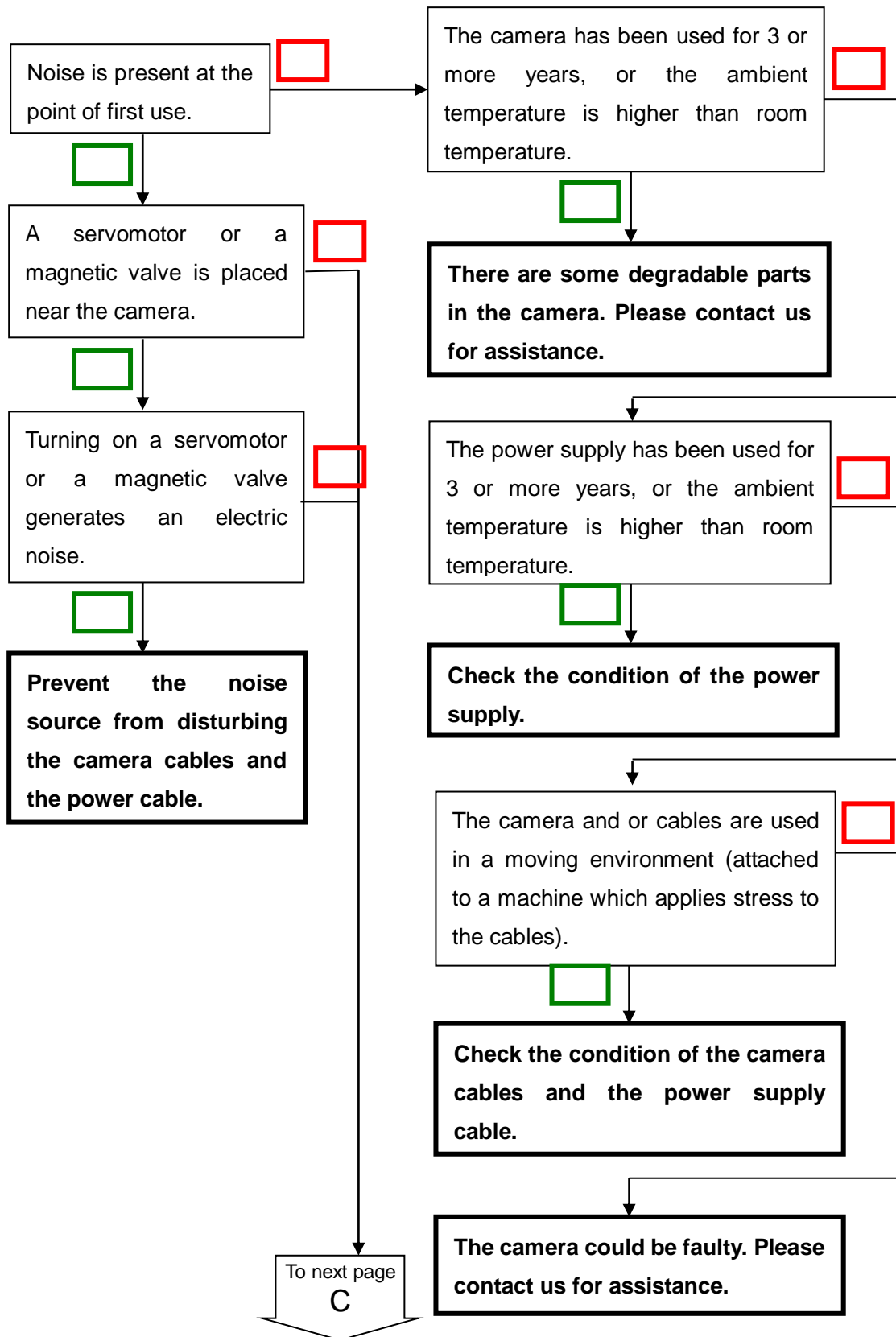
The following pages contain several troubleshooting charts that can help you find the cause of problems users sometimes encounter.

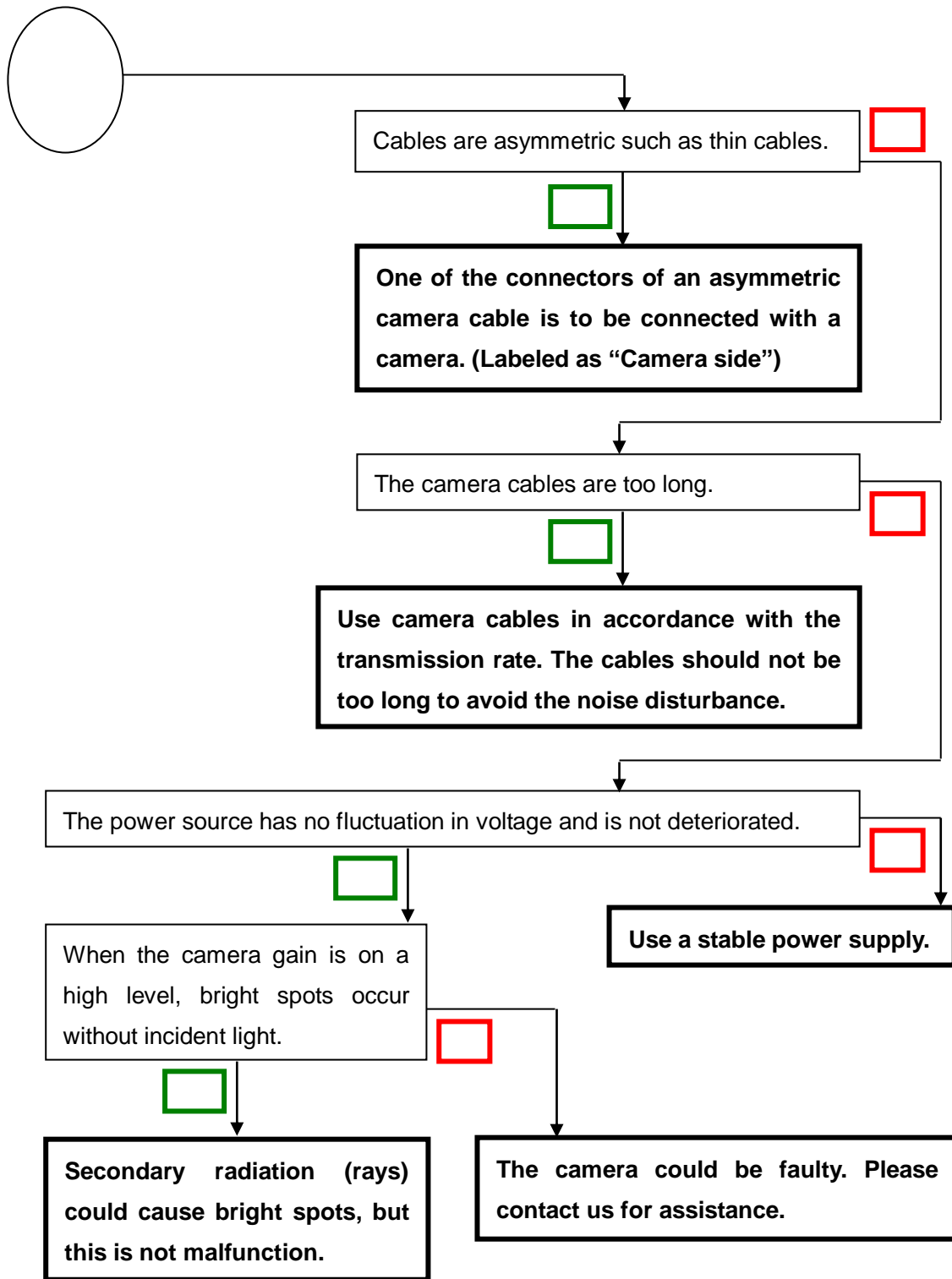
6.1 When there is no Image



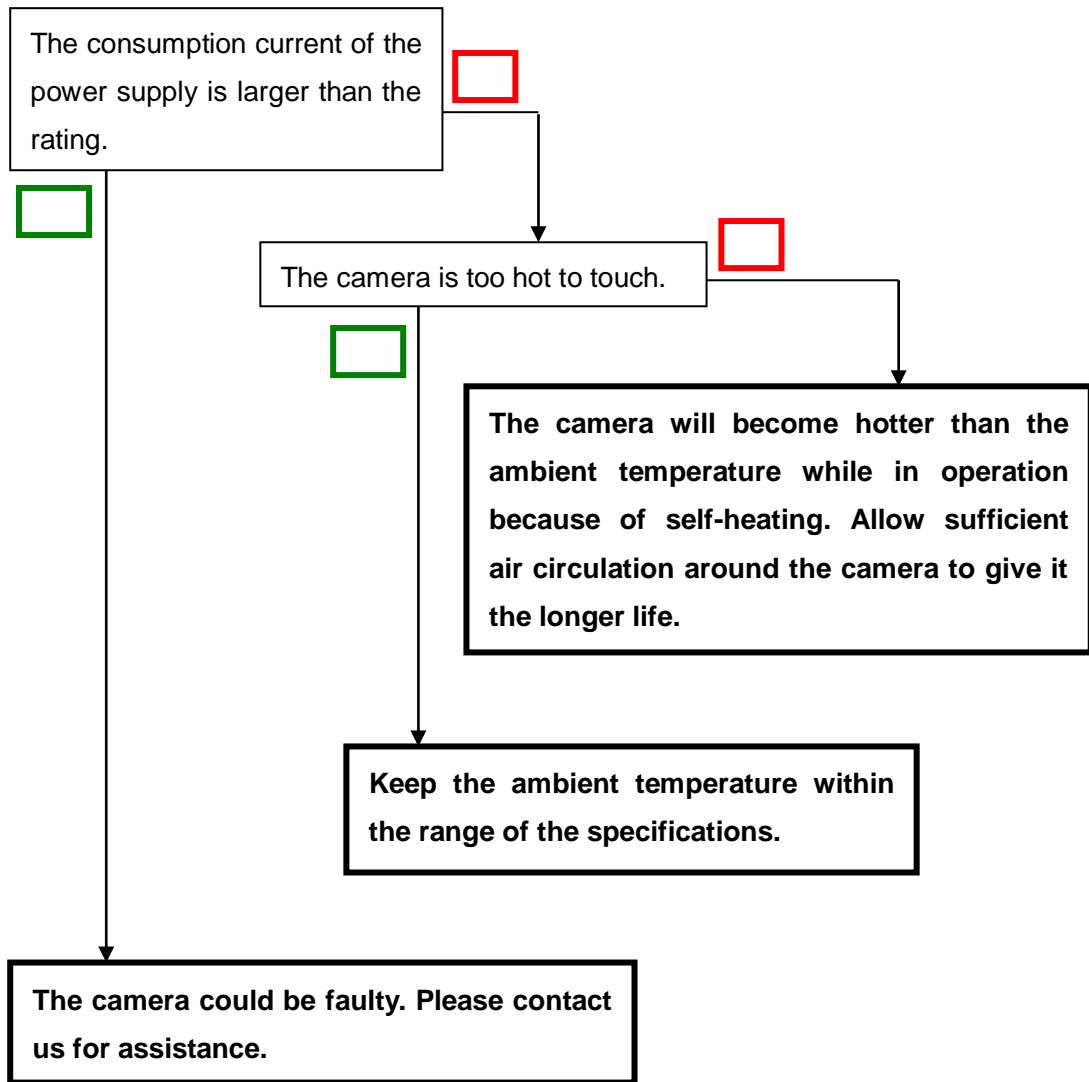


6.2 When Noise is present in the Image





6.3 When the Camera becomes hot



7 Others

7.1 Notice

- No part of this document may be reproduced in any form, in whole or in part, without the expressed written consent of NED.
- Contents of this document are subject to change without prior notice.
- Every care has been taken in the preparation of this User's Manual. If you should discover any errors or omissions, please notify your nearest NED representative.

7.2 Contact for support

Nippon Electro-Sensory Devices Corporation

Head Office

2-5-12, Itachibori, Nishi-ku, Osaka 550-0012, Japan

Phone +81-6-6534-5300

Fax +81-6-6534-6080

Tokyo Branch

Gibraltar Oi BLDG., Room No.402

1-45-2, Oi, Shinagawa-ku, Tokyo 140-0014, Japan

Phone +81-3-5718-3181

Fax +81-3-5718-0331

Nishi-Nippon Branch

Twin Square 1-8-28 Enokida, Hakata-ku, Fukuoka, 812-0004, Japan

Phone +81-92-451-9333

Fax +81-92-451-9335

URL

<http://ned-sensor.co.jp/en/>

E-Mail

sales@ned-sensor.com

7.3 Product Support

If there is still a problem with your camera after checking it in accordance with the troubleshooting guide, turn off the power and call your NED representative.

In such case, please inform us of the status of the camera. You can get the status on console by

- (1) executing the “sta” command, or
- (2) clicking “Memory Dump” button when using CLISBeeCtrl.

```
sta
>OK
>Type=XCM3C4080T3
>Ver.=1.35_0x4007
>Serial=502087
>gax 1
>gdx 0
>gdxr 0
>gdxg 0
>gdxb 0
.
.
.
>gamma 0
>nr
>sta
```


Revision Number	Date	Changes
01	15 February 2014	Initial release
02	3 December 2014	4.14 Adjacent Pixel Binning (p47), 4.16 Readout Direction Setting (p48)
03	26 February 2015	Temperature and Humidity range (table 1-4-1), 9.3.2 Camera Status for repair (p72)
04	07 March 2017	P4:To added the contents about the warranty period of the product repaired or replaced in the item listed about the Warranty Scope.
05	25 Jul.2018	Deleted The description on the Camera Control Software.